
S P E C F I L E

Product Number : PT-**RQ13K**

Product Name : 3-Chip DLP™ Projector

Specifications

Main unit

| | | |
|-------------------------------|----------------|--|
| Power supply | | AC 100–240 V, 50/60 Hz (Note: Brightness may decrease depending on power conditions) |
| Power consumption | | 1,270 W (0.3 W with STANDBY MODE set to ECO.*1 4 W with STANDBY MODE set to NORMAL.), Average power consumption NORMAL: 913W ECO: 782W LONG LIFE1: 531-732W LONG LIFE 2: 477-702W LONG LIFE 3: 423-665W *Operating Temperature: 25 °C (77 °F), Altitude: 700m (2,297 ft), ICE627087: 2008 Broadcast contents, Picture mode: Dynamic, Dynamic Contrast3 |
| DLP™ chip | Panel size | 22.9 mm (0.9 inches) diagonal (16:10 aspect ratio) |
| | Display method | DLP™ chip × 3 (R, G, B), DLP™ projection system |
| | Pixels | 4,096,000 (2560 × 1600) × 3, total of 12,288,000 pixels 49,152,000 (12,288,000 × 4) pixels when Quad Pixel Drive set to ON |
| Refresh Rate | | 240 Hz |
| Lens | | Optional powered zoom/focus lenses |
| Light source | | Laser Diode (Laser class: Class 1)*Class 3R for North America. Luminance life for set: 20,000 hours at half luminance (normal)/ 24,000 hours at half luminance (Eco) * Temperature: 35°C (95°F), Altitude 700m (2,297 ft), Dust: 0.15mg/m ³ 43,800 hours at constant luminance (Longlife1) 61,320 hours at constant luminance (Longlife2) 87,600 hours at constant luminance (Longlife3) |
| Screen size | | 1.78–25.4 m (70–1,000 inches) (16:10 aspect ratio) 1.78–15.24 m (70–600 inches) with the ET-D75LE8 (16:10 aspect ratio) 3.05–15.24 m (120–600 inches) with the ET-D75LE90 (16:10 aspect ratio) |
| Brightness*2 | | 10,000 lumens |
| Center-to-corner uniformity*2 | | 90% |
| Contrast*2 | | 20,000:1 (full on/full off, in Dynamic Contrast 3 mode) |
| Resolution | | 5120 × 3200 pixels (Quad Pixel Drive: ON) |
| Scanning frequency | SDI | SD-SDI signal SMPTE ST 259 compliant (YCBCR 4:2:2 10-bit): 480i, 576i Single-link HD-SDI signal SMPTE ST 292 compliant (YPBPR 4:2:2 10-bit): 720/60p, 720/50p, 1035/60i, 1080/60i, 1080/50i, 1080/25p, 1080/25sF, 1080/24p, 1080/24sF, 1080/30p, 1080/30sF Single-link 3G-SDI signal SMPTE ST 424 compliant (YPBPR 4:2:2 10-bit): 1080/60p, 1080/50p, 2048 x 1080/48p, 2048 x 1080/50p, 2048 x 1080/60p, (RGB 4:4:4 12-bit/10-bit, YPBPR 4:4:4 12-bit/10-bit): 1080/60i, 1080/50i, 1080/25p, 1080/25sF, 1080/24p, 1080/24sF, 1080/30p, 1080/30sF, (RGB 4:4:4 12-bit/10-bit, YPBPR 4:4:4 12-bit/10-bit, X'Y'Z' 4:4:4 12-bit*3): 2048 x 1080/24p, 2048 x 1080/24sF, 2048 x 1080/25p, 2048 x 1080/25sF, 2048 x 1080/30p, 2048 x 1080/30sF Dual-link HD-SDI signal SMPTE ST 372 compliant (YPBPR 4:2:2 10-bit): 1080/50p, 1080/60p, (RGB 4:4:4 12-bit/10-bit, YPBPR 4:4:4 12-bit/10-bit): 1080/60i, 1080/50i, 1080/24p, 1080/24sF, 1080/25p, 1080/25sF, 1080/30p, 1080/30sF, 2048 x 1080/24p, 2048 x 1080/24sF, 2048 x 1080/25p, 2048 x 1080/25sF, 2048 x 1080/30p, 2048 x 1080/30sF, (X' Y' Z' 4:4:4 12-bit*3): 2048 x 1080/24p, 2048 x 1080/24sF, 2048 x 1080/25p, 2048 x 1080/25sF, 2048 x 1080/30p, 2048 x 1080/30sF Dual-link 3G-SDI signal SMPTE ST 425 compliant (YPBPR 4:4:4 12-bit/10-bit): 1080/50p, 1080/60p, 2048 x 1080/48p, 2048 x 1080/50p, 2048 x 1080/60p, (RGB 4:4:4 12-bit/10-bit) : 1080/50p, 1080/60p, 2048 x 1080/48p, 2048 x 1080/50p, 2048 x 1080/60p, (YPBPR 4:2:2 10-bit): 3840 x 2160/24p, 3840 x 2160/25p, 3840 x 2160/30p, 4096 x 2160/24p, 4096 x 2160/25p, 4096 x 2160/30p |

Scanning frequency SDI

Quad-link HD-SDI signal (YPBPR 4:2:2 10-bit) :

3840 x 2160/24sF, 3840 x 2160/24p, 3840 x 2160/25sF, 3840 x 2160/25p,
3840 x 2160/30sF, 3840 x 2160/30p, 4096 x 2160/24sF, 4096 x 2160/24p,
4096 x 2160/25sF, 4096 x 2160/25p, 4096 x 2160/30sF, 4096 x 2160/30p

Quad-link 3G-SDI signal SMPTE ST 425 compliant (YPBPR 4:2:2 10-bit) :

3840 x 2160/60p, 3840 x 2160/50p, 4096 x 2160/60p, 4096 x 2160/50p,
(YPBPR 4:2:2 12-bit, YPBPR 4:4:4 10-bit/12-bit, RGB 10-bit/12-bit)
3840 x 2160/24sF, 3840 x 2160/24p, 3840 x 2160/25sF, 3840 x 2160/25p,
3840 x 2160/30sF, 3840 x 2160/30p, 4096 x 2160/24sF, 4096 x 2160/24p,
4096 x 2160/25sF, 4096 x 2160/25p, 4096 x 2160/30sF, 4096 x 2160/30p

SDI1/SDI2 Simultaneous inputs (2 x speed)*4: 1080/60p, 1080/50p

(1st FRAME: SDI1, 2nd FRAME: SDI2)

SDI1/SDI2/SDI3/SDI4 Simultaneous inputs (4 x speed)*4: 1080/60p, 1080/50p

(1st FRAME: SDI1, 2nd FRAME: SDI2, 3rd FRAME: SDI3, 4th FRAME: SDI4)

DIGITAL LINK: Movie signal resolution : 480i*5/576i*5 – 4096 x 2160,

Still picture signal resolution : 640 x 400 – 2560 x 1600 (non-interlace),

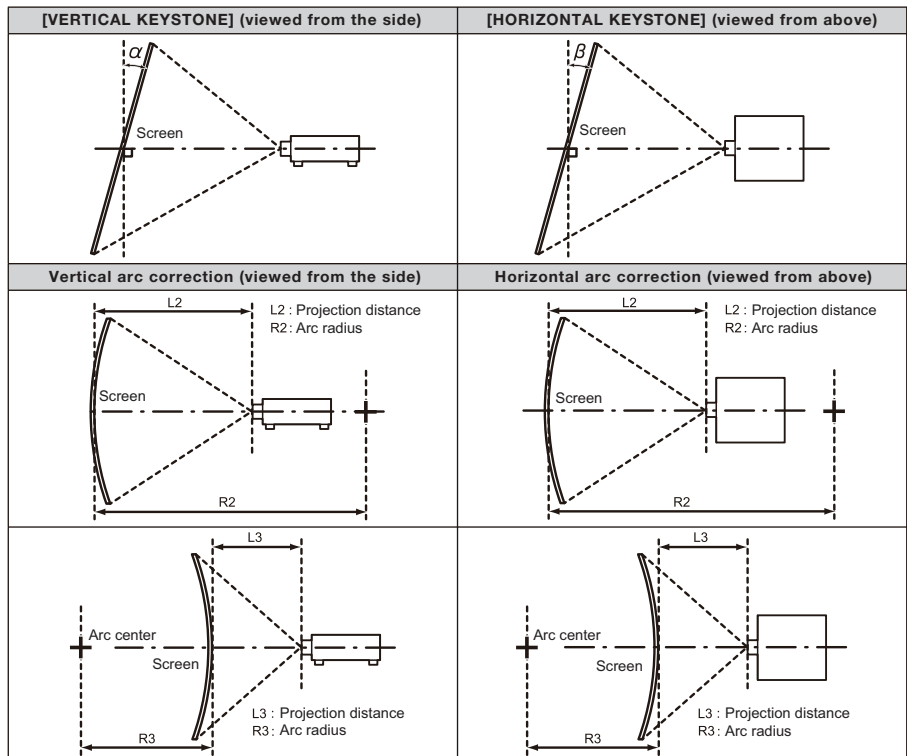
Dot clock frequency: 25 MHz – 297 MHz

Keystone correction range

| Projection lens Model No. | Only [KEYSTONE] used*6 | | [KEYSTONE] and [CURVED] used together*6 | | Only [CURVED] used | |
|---------------------------|---|--|---|--|---------------------|---------------------|
| | Vertical keystone correction angle α (°) | Horizontal keystone correction angle β (°) | Vertical keystone correction angle α (°) | Horizontal keystone correction angle β (°) | Min. value of R2/L2 | Min. value of R3/L3 |
| ET-D75LE6 | ± 28 | ± 15 | ± 10 | ± 10 | 1.6 | 3.9 |
| ET-D75LE8 | ± 40 | ± 15 | ± 20 | ± 15 | 0.2 | 0.4 |
| ET-D75LE10 | ± 40 | ± 15 | ± 10 | ± 10 | 1.1 | 2.6 |
| ET-D75LE20 | ± 40 | ± 15 | ± 15 | ± 10 | 0.9 | 1.7 |
| ET-D75LE30 | ± 40 | ± 15 | ± 20 | ± 10 | 0.6 | 1.2 |
| ET-D75LE40 | ± 40 | ± 15 | ± 20 | ± 15 | 0.4 | 0.7 |
| ET-D75LE50 | ± 22 | ± 15 | ± 8 | ± 8 | 2.0 | 4.9 |
| ET-D75LE90*7 | +5 / -0 | 0 | - | - | - | - |

When using the optional Upgrade Kit (Model No.: ET-UK20)

| Projection lens Model No. | Only [KEYSTONE] used*6 | | [KEYSTONE] and [CURVED] used together*6 | | Only [CURVED] used | |
|---------------------------|---|--|---|--|---------------------|---------------------|
| | Vertical keystone correction angle α (°) | Horizontal keystone correction angle β (°) | Vertical keystone correction angle α (°) | Horizontal keystone correction angle β (°) | Min. value of R2/L2 | Min. value of R3/L3 |
| ET-D75LE6 | ± 28 | ± 15 | ± 10 | ± 10 | 1.2 | 3.0 |
| ET-D75LE8 | ± 45 | ± 40 | ± 20 | ± 15 | 0.2 | 0.3 |
| ET-D75LE10 | ± 40 | ± 15 | ± 10 | ± 10 | 0.9 | 2.0 |
| ET-D75LE20 | ± 40 | ± 20 | ± 15 | ± 10 | 0.7 | 1.3 |
| ET-D75LE30 | ± 45 | ± 25 | ± 20 | ± 10 | 0.5 | 0.9 |
| ET-D75LE40 | ± 45 | ± 30 | ± 20 | ± 15 | 0.3 | 0.5 |
| ET-D75LE50 | ± 22 | ± 15 | ± 8 | ± 8 | 1.5 | 3.7 |
| ET-D75LE90*7 | +5 / -0 | 0 | - | - | - | - |



| | | |
|--------------------|-------------------|---|
| Optical axis shift | Vertical | ±59% (±44% with the ET-D75LE6), (+74-84% with the ET-D75LE90), from center of screen, powered |
| | Horizontal | ±29% (±19% with the ET-D75LE6), (-12-16% with the ET-D75LE90), from center of screen, powered |
| | | NOTE: Optical axis shift function cannot be operated when used with the ET-D75LE50. |
| Installation | | Ceiling/floor, front/rear |
| Terminals | SDI IN 1 | BNC ×1, 3G/HD/SD-SDI input, Dual-link input (LINK-A) , Quad-link input SD-SDI signal SMPTE ST 259 compliant HD-SDI signal SMPTE ST 292 compliant 3G-SDI signal SMPTE ST 424 compliant Dual-link HD-SDI signal SMPTE ST 372 compliant Dual-link 3G-SDI signal SMPTE ST 425 compliant Quad-link HD-SDI signal Quad-link 3G-SDI signal SMPTE ST 425 compliant |
| | SDI IN 2 | BNC ×1, 3G/HD/SD-SDI input, Dual-link input (LINK-B) , Quad-link input SD-SDI signal SMPTE ST 259 compliant HD-SDI signal SMPTE ST 292 compliant 3G-SDI signal SMPTE ST 424 compliant Dual-link HD-SDI signal SMPTE ST 372 compliant Dual-link 3G-SDI signal SMPTE ST 425 compliant Quad-link HD-SDI signal Quad-link 3G-SDI signal SMPTE ST 425 compliant |
| | SDI IN 3 | BNC ×1, 3G/HD/SD-SDI input, Dual-link input (LINK-A) , Quad-link input SD-SDI signal SMPTE ST 259 compliant HD-SDI signal SMPTE ST 292 compliant 3G-SDI signal SMPTE ST 424 compliant Dual-link HD-SDI signal SMPTE ST 372 compliant Dual-link 3G-SDI signal SMPTE ST 425 compliant Quad-link HD-SDI signal Quad-link 3G-SDI signal SMPTE ST 425 compliant |
| | SDI IN 4 | BNC ×1, 3G/HD/SD-SDI input, Dual-link input (LINK-B) , Quad-link input SD-SDI signal SMPTE ST 259 compliant HD-SDI signal SMPTE ST 292 compliant 3G-SDI signal SMPTE ST 424 compliant Dual-link HD-SDI signal SMPTE ST 372 compliant Dual-link 3G-SDI signal SMPTE ST 425 compliant Quad-link HD-SDI signal Quad-link 3G-SDI signal SMPTE ST 425 compliant |
| | Frame Sync IN/OUT | BNC x 1, (frame-synchronizing timing signal) |
| | Frame Sync OUT | BNC x 1, (frame-synchronizing timing signal) |
| | SERIAL IN | D-sub 9-pin (female) x 1 for external control (RS-232C compliant) |
| | SERIAL OUT | D-sub 9-pin (male) x 1 for link control |
| | REMOTE 1 IN/OUT | M3 x 1 for link control (for wired remote control) |
| | REMOTE 2 IN | D-sub 9-pin (female) x 1 for external control (parallel) |
| | DIGITAL LINK/LAN | RJ-45 x 1 (for network, DIGITAL LINK connection (HDBaseT™ compatible), 100Base-TX, compatible with Art-Net, PjLink™ (class 1), Deep Color, HDCP2.2) |
| | Expansion Slot | x 2 (SLOT 1, SLOT 2), SLOT NX (Compatible with Optional Board) |
| Power cord length | | 3.0 m (9 ft 10 in) |

| | |
|-----------------------------|--|
| Cabinet materials | Molded plastic |
| Dimensions (W × H × D): | 578 × 323.5*8 × 740 mm (22-3/4 × 12-23/32*8 × 29-1/8 inches) (with projections) 578 × 270 × 725 mm (22-3/4 × 10-5/8 × 28-17/32 inches) (without lens, feet or projections) |
| Weight*9 | 49 kg (108.0 lbs) (without lens) |
| Operation noise*2 | 46 dB |
| Operating temperature | Ambient operating temperature: 0°C to 45°C (32 °F to 113 °F). Ambient operating humidity: 10% - 80% (no condensation) When the operating mode is set to "Normal", the operating temperature range is 0°C to 45°C (32 °F to 113 °F), and at altitudes from 1,400 m to 4,200 m (4,593 ft to 13,780 ft) it is 0°C to 40°C (32 °F to 104 °F). When the operating mode is set to "Eco", or "Long Life 1/2/3", the operating temperature range is 0°C to 40°C (32 °F to 104 °F). When the projector is used with a Smoke Cut Filter, the operating temperature range is 0°C to 35°C (32 °F to 95 °F). Furthermore, when the operating mode is set to "Eco", or "Long Life 1/2/3", the projector cannot be used at altitudes above 2,700 m (8,858 ft). In addition, when the projector is used with a Smoke Cut Filter, it cannot be used at altitudes above 1,400 m (4,593 ft). The brightness of the light source may drop depending on the operating environment and the operating temperature range in order to protect the projector. |
| Applicable software | Logo Transfer Software, Multi Monitoring & Control Software, Early Warning Software, Geometry Manager Pro (ET-UK20 series Upgrade Kit and ET-CUK10 series Auto Screen Adjustment Kit) |
| Remote control unit | |
| Power supply | 3 V DC (AA/R6 type battery × 2) |
| Operation range*10 | Approx. 30 m (98 ft 5 in) when operated from directly in front of the signal receptor |
| Dimensions (W × H × D) | 47.5 × 181.5 × 27.5 mm (1-7/8 × 7-5/32 × 1-3/32 inches) |
| Weight | Approx. 150 g (5.3 oz) (including batteries) |
| Supplied accessories | |
| | Power cord (×1) (x2 for PT-RZ12KE) Wireless/wired remote control unit (× 1) Batteries for remote control (AA/R6 type × 2) Lens drop-prevention screw (× 1) Software CD-ROM (Logo Transfer Software, Multi Monitoring & Control Software) (× 1) |

Weights and dimensions shown are approximate. Specifications and appearance are subject to change without notice.

*1 When the standby mode is set to eco, network functions such as power on over the LAN network will not operate, and the serial output terminal cannot be used. Also, only certain commands can be received for external control using the serial terminal.

*2 Measurement, measuring conditions, and method of notation all comply with ISO 21118 international standards.

*3 Not compatible with the optional TY-TBN03G 3G-SDI terminal board.

*4 When simultaneous-type video signals are being input, the "geometric distortion correction" function and the expansion functions available in the "Upgrade Kit" cannot be used.

*5 Only compatible with dot clock frequency of 27 MHz (pixel repetition signal)

*6 When [VERTICAL KEYSTONE] and [HORIZONTAL KEYSTONE] are used simultaneously, correction cannot be made exceeding total of 30°.

*7 Only the vertical keystone correction angle can be corrected in the direction in which the projector body moves away from the screen.

*8 With legs at shortest position.

*9 Average value (excluding the optional lens). May differ depending on models.

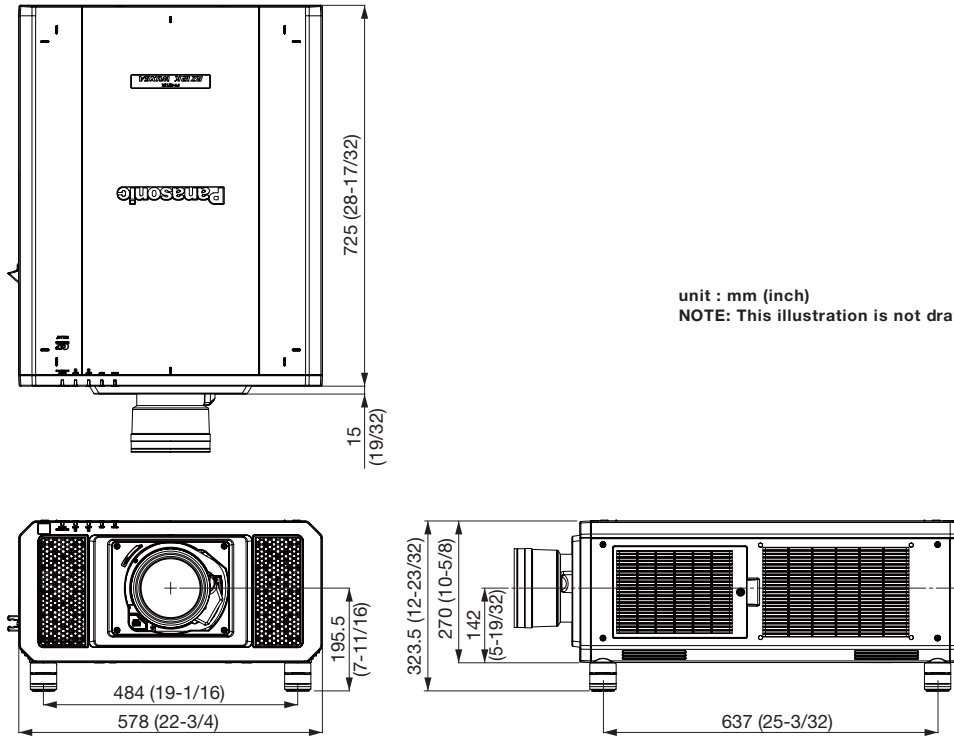
*10 Operation range differs depending on environments.

Optional accessories

| | | | |
|---|----------------|--|-----------------|
| Zoom lens (0.9–1.1:1) | ET-D75LE6 | Zoom lens (1.3–1.7:1) | ET-D75LE10 |
| Zoom lens (1.7–2.4:1) | ET-D75LE20 | Zoom lens (2.4–4.7:1) | ET-D75LE30 |
| Zoom lens (4.6–7.4:1) | ET-D75LE40 | Zoom lens (7.3–13.8:1) | ET-D75LE8 |
| Fixed-focus lens (0.7:1) | ET-D75LE50 | Fixed-focus lens (0.36:1) | ET-D75LE90 |
| Ceiling mount bracket (for high ceilings) | ET-PKD520H | Ceiling mount bracket (for low ceilings) | ET-PKD520S |
| Projector mount bracket | ET-PAD520B | Frame | ET-PFD510 |
| Upgrade kit | ET-UK20 series | Auto sreen adjustment upgrade kit | ET-CUK10 series |
| Replacement filter unit | ET-EMF330 | | |
| Smoke cut filter | ET-SFD330 | Smoke cut filter (Replacement) | ET-SFR330 |
| DVI-D Input Board | ET-MDNDV10 | HDMI Input Board | ET-MDNHM10 |
| 3G-SDI Input Board | TY-TBN03G* | | |

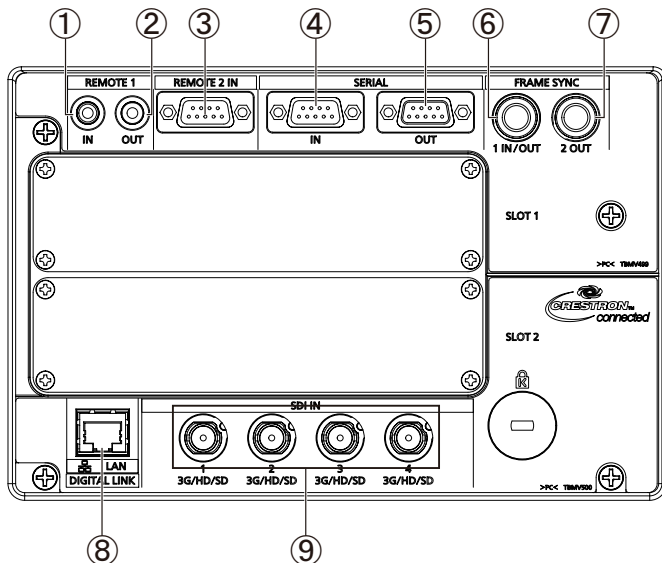
***When using the optional TY-TBN03G 3G-SDI terminal board, the firmware for the main projector unit and the software for the optional TY-TBN03G terminal board must be Ver. 2.0 or later (planned for release in February 2016). Contact your sales representative or dealer for details on upgrading to the latest firmware version.**

Dimensions



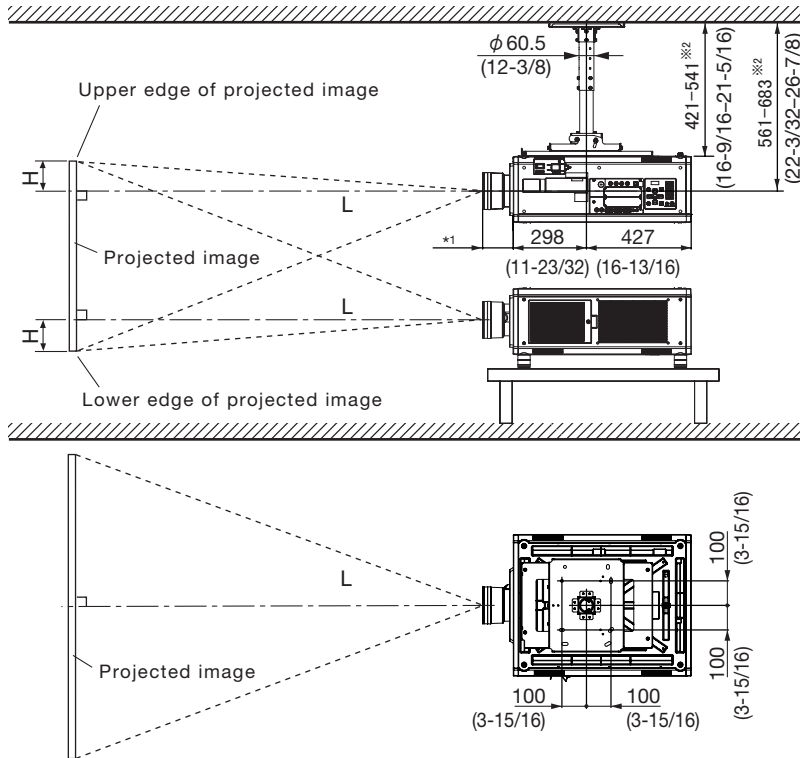
unit : mm (inch)
NOTE: This illustration is not drawn to scale.

Terminals



- 1 Remote 1 input
- 2 Remote 1 output
- 3 Remote 2 input
- 4 Serial input
- 5 Serial output
- 6 Frame sync1 input/output
- 7 Frame sync2 output
- 8 LAN/DIGITAL LINK connector
- 9 SDI input

Standard setting-up position



*1 When the lens protrudes to the maximum.
 212 mm (8-11/32) with the ET-D75LE6
 125 mm (4-29/32) with the ET-D75LE10
 121 mm (4-3/4) with the ET-D75LE20
 121 mm (4-3/4) with the ET-D75LE30
 124 mm (4-7/8) with the ET-D75LE40
 254 mm (10) with the ET-D75LE8
 203 mm (8) with the ET-D75LE50

*2 Adjustable in 40 mm (1-9/16) steps.

unit : mm (inch)

NOTE:

Illustrations show the projector installed using optional ceiling mount bracket ET-PKD520H/ET-PKD520B and an optional lens. This illustration is not drawn to scale.

If the ET-D75LE90 is attached, refer to the projection system dimension drawing and the projection distance table for ET-D75LE90 specifications.

Caution:

- All construction work should be done by a qualified technician.
- When mounting to the ceiling, use the special mounting bracket. Furthermore, in order to prevent it from falling down from the ceiling, use the supplied wire on the mounting bracket.

Projection distance for 16:10 aspect ratio screen
(ET-D75LE6/D75LE10/D75LE20/D75LE30/D75LE40/D75LE8/D75LE50)

Unit: meters

| Screen size (diagonal) | Distance to screen (L) | | | | | | | | | | | | Height from the edge of screen to center of lens (H) | | | | | |
|---------------------------|------------------------|-------|-------------------------|-------|-------------------------|-------|-------------------------|--------|-------------------------|--------|------------------------|-------------|---|---------------------|---------------------|-----------|--------|------|
| | Zoom | | | | | | | | | | | Fixed-focus | Zoom lenses | | Fixed-focus lens | | | |
| | ET-D75LE6 Zoom lens | | ET-D75LE10 Zoom lens | | ET-D75LE20 Zoom lens | | ET-D75LE30 Zoom lens | | ET-D75LE40 Zoom lens | | ET-D75LE8 Zoom lens | | ET-D75LE50 Fixed-focus lens | Except ET-D75LE6 | | ET-D75LE6 | | |
| [m] / [in] | min. | max. | min. | max. | min. | max. | min. | max. | min. | max. | min. | max. | min. | max. | min. | max. | min. | max. |
| 1.78 / 70 | 1.46 | 1.75 | 2.05 | 2.65 | 2.64 | 3.85 | 3.82 | 7.45 | 7.37 | 11.85 | 11.65 | 22.20 | 1.09 | -0.08 | -1.03 | -0.06 | -1.00 | 0.47 |
| 2.03 / 80 | 1.68 | 2.01 | 2.35 | 3.04 | 3.03 | 4.41 | 4.38 | 8.54 | 8.45 | 13.56 | 13.37 | 25.42 | 1.25 | -0.10 | -1.17 | -0.06 | -1.14 | 0.54 |
| 2.29 / 90 | 1.90 | 2.27 | 2.65 | 3.43 | 3.42 | 4.98 | 4.94 | 9.63 | 9.52 | 15.28 | 15.09 | 28.64 | 1.42 | -0.11 | -1.32 | -0.07 | -1.28 | 0.61 |
| 2.54 / 100 | 2.11 | 2.53 | 2.96 | 3.83 | 3.81 | 5.54 | 5.51 | 10.72 | 10.60 | 16.99 | 16.81 | 31.86 | 1.58 | -0.12 | -1.47 | -0.08 | -1.43 | 0.67 |
| 3.05 / 120 | 2.55 | 3.05 | 3.57 | 4.61 | 4.59 | 6.67 | 6.63 | 12.90 | 12.75 | 20.42 | 20.25 | 38.31 | 1.91 | -0.15 | -1.76 | -0.10 | -1.71 | 0.81 |
| 3.81 / 150 | 3.20 | 3.83 | 4.48 | 5.79 | 5.76 | 8.37 | 8.32 | 16.17 | 15.98 | 25.57 | 25.41 | 47.97 | 2.41 | -0.18 | -2.20 | -0.12 | -2.14 | 1.01 |
| 5.08 / 200 | 4.29 | 5.13 | 6.00 | 7.76 | 7.71 | 11.20 | 11.12 | 21.62 | 21.36 | 34.14 | 34.01 | 64.08 | 3.23 | -0.24 | -2.93 | -0.16 | -2.85 | 1.35 |
| 6.35 / 250 | 5.37 | 6.43 | 7.52 | 9.73 | 9.65 | 14.03 | 13.93 | 27.07 | 26.74 | 42.72 | 42.61 | 80.19 | 4.06 | -0.30 | -3.67 | -0.20 | -3.57 | 1.68 |
| 7.62 / 300 | 6.46 | 7.73 | 9.05 | 11.70 | 11.60 | 16.86 | 16.74 | 32.51 | 32.12 | 51.30 | 51.21 | 96.31 | 4.89 | -0.36 | -4.40 | -0.24 | -4.28 | 2.02 |
| 8.89 / 350 | 7.54 | 9.03 | 10.57 | 13.66 | 13.55 | 19.69 | 19.55 | 37.96 | 37.50 | 59.87 | 59.81 | 112.42 | 5.71 | -0.42 | -5.14 | -0.28 | -4.99 | 2.36 |
| 10.16 / 400 | 8.63 | 10.33 | 12.09 | 15.63 | 15.50 | 22.52 | 22.36 | 43.41 | 42.88 | 68.45 | 68.40 | 128.53 | 6.54 | -0.48 | -5.87 | -0.32 | -5.71 | 2.69 |
| 12.70 / 500 | 10.80 | 12.93 | 15.13 | 19.56 | 19.39 | 28.18 | 27.98 | 54.31 | 53.63 | 85.60 | 85.60 | 160.75 | 8.19 | -0.61 | -7.34 | -0.40 | -7.13 | 3.37 |
| 15.24 / 600 | 12.97 | 15.53 | 18.18 | 23.50 | 23.29 | 33.84 | 33.60 | 65.21 | 64.39 | 102.75 | 102.80 | 192.97 | 9.84 | -0.73 | -8.80 | -0.48 | -8.56 | 4.04 |
| 25.40 / 1000 | 21.66 | 25.94 | 30.35 | 39.24 | 38.86 | 56.48 | 56.08 | 108.79 | 107.43 | 171.36 | 171.59 | - | 16.45 | -1.21 | -14.67 | -0.81 | -14.27 | 6.73 |

Unit: feet

| Screen size (diagonal) | Distance to screen (L) | | | | | | | | | | | | Height from the edge of screen to center of lens (H) | | | | | |
|---------------------------|------------------------|------|-------------------------|-------|-------------------------|-------|-------------------------|-------|-------------------------|-------|------------------------|-------------|---|---------------------|---------------------|-----------|------|------|
| | Zoom | | | | | | | | | | | Fixed-focus | Zoom lenses | | Fixed-focus lens | | | |
| | ET-D75LE6 Zoom lens | | ET-D75LE10 Zoom lens | | ET-D75LE20 Zoom lens | | ET-D75LE30 Zoom lens | | ET-D75LE40 Zoom lens | | ET-D75LE8 Zoom lens | | ET-D75LE50 Fixed-focus lens | Except ET-D75LE6 | | ET-D75LE6 | | |
| [m] / [in] | min. | max. | min. | max. | min. | max. | min. | max. | min. | max. | min. | max. | min. | max. | min. | max. | min. | max. |
| 1.78 / 70 | 4.8 | 5.7 | 6.7 | 8.7 | 8.7 | 12.6 | 12.5 | 24.4 | 24.2 | 38.9 | 38.2 | 72.8 | 3.6 | -0.3 | 3.4 | -0.2 | 3.3 | 1.5 |
| 2.03 / 80 | 5.5 | 6.6 | 7.7 | 10.0 | 9.9 | 14.5 | 14.4 | 28.0 | 27.7 | 44.5 | 43.9 | 83.4 | 4.1 | -0.3 | 3.9 | -0.2 | 3.7 | 1.8 |
| 2.29 / 90 | 6.2 | 7.4 | 8.7 | 11.3 | 11.2 | 16.3 | 16.2 | 31.6 | 31.2 | 50.1 | 49.5 | 94.0 | 4.6 | -0.4 | 4.3 | -0.2 | 4.2 | 2.0 |
| 2.54 / 100 | 6.9 | 8.3 | 9.7 | 12.6 | 12.5 | 18.2 | 18.1 | 35.2 | 34.8 | 55.7 | 55.2 | 104.5 | 5.2 | -0.4 | 4.8 | -0.3 | 4.7 | 2.2 |
| 3.05 / 120 | 8.4 | 10.0 | 11.7 | 15.1 | 15.1 | 21.9 | 21.8 | 42.3 | 41.8 | 67.0 | 66.4 | 125.7 | 6.3 | -0.5 | 5.8 | -0.3 | 5.6 | 2.7 |
| 3.81 / 150 | 10.5 | 12.6 | 14.7 | 19.0 | 18.9 | 27.5 | 27.3 | 53.0 | 52.4 | 83.9 | 83.4 | 157.4 | 7.9 | -0.6 | 7.2 | -0.4 | 7.0 | 3.3 |
| 5.08 / 200 | 14.1 | 16.8 | 19.7 | 25.5 | 25.3 | 36.8 | 36.5 | 70.9 | 70.1 | 112.0 | 111.6 | 210.2 | 10.6 | -0.8 | 9.6 | -0.5 | 9.4 | 4.4 |
| 6.35 / 250 | 17.6 | 21.1 | 24.7 | 31.9 | 31.7 | 46.0 | 45.7 | 88.8 | 87.7 | 140.2 | 139.8 | 263.1 | 13.3 | -1.0 | 12.0 | -0.7 | 11.7 | 5.5 |
| 7.62 / 300 | 21.2 | 25.4 | 29.7 | 38.4 | 38.1 | 55.3 | 54.9 | 106.7 | 105.4 | 168.3 | 168.0 | 316.0 | 16.0 | -1.2 | 14.4 | -0.8 | 14.0 | 6.6 |
| 8.89 / 350 | 24.7 | 29.6 | 34.7 | 44.8 | 44.5 | 64.6 | 64.1 | 124.6 | 123.0 | 196.4 | 196.2 | 368.8 | 18.7 | -1.4 | 16.8 | -0.9 | 16.4 | 7.7 |
| 10.16 / 400 | 28.3 | 33.9 | 39.7 | 51.3 | 50.8 | 73.9 | 73.4 | 142.4 | 140.7 | 224.6 | 224.4 | 421.7 | 21.5 | -1.6 | 19.3 | -1.1 | 18.7 | 8.8 |
| 12.70 / 500 | 35.4 | 42.4 | 49.7 | 64.2 | 63.6 | 92.5 | 91.8 | 178.2 | 176.0 | 280.8 | 280.8 | 527.4 | 26.9 | -2.0 | 24.1 | -1.3 | 23.4 | 11.1 |
| 15.24 / 600 | 42.6 | 51.0 | 59.6 | 77.1 | 76.4 | 111.0 | 110.2 | 213.9 | 211.3 | 337.1 | 337.3 | 633.1 | 32.3 | -2.4 | 28.9 | -1.6 | 28.1 | 13.3 |
| 25.40 / 1000 | 71.1 | 85.1 | 99.6 | 128.7 | 127.5 | 185.3 | 184.0 | 356.9 | 352.4 | 562.2 | 563.0 | - | 54.0 | -4.0 | 48.1 | -2.6 | 46.8 | 22.1 |

- The value for L (distance to screen) varies slightly within ±5% depending on the zoom lens characteristics.
- At the shortest projection distance, the zoom lens characteristics may cause slight image distortion.
- When vertical keystone correction is used, the image is corrected in the direction that reduces its projected size.

NOTE: When the ET-D75LE50 is mounted, the optical lens shift function cannot be used.

Projection distance for 16:9 aspect ratio screen
(ET-D75LE6/D75LE10/D75LE20/D75LE30/D75LE40/D75LE8/D75LE50)

Unit: meters

| Screen size (diagonal) | Distance to screen (L) | | | | | | | | | | | | Height from the edge of screen to center of lens (H) | | | | | |
|---------------------------|------------------------|-------|-------------------------|-------|-------------------------|-------|-------------------------|--------|-------------------------|--------|------------------------|-------------|---|---------------------|---------------------|-----------|-------|------|
| | Zoom | | | | | | | | | | | Fixed-focus | Zoom lenses | | Fixed-focus lens | | | |
| | ET-D75LE6 Zoom lens | | ET-D75LE10 Zoom lens | | ET-D75LE20 Zoom lens | | ET-D75LE30 Zoom lens | | ET-D75LE40 Zoom lens | | ET-D75LE8 Zoom lens | | ET-D75LE50 Fixed-focus lens | Except ET-D75LE6 | | ET-D75LE6 | | |
| [m] / [in] | min. | max. | min. | max. | min. | max. | min. | max. | min. | max. | min. | max. | min. | max. | min. | max. | min. | max. |
| 1.78 / 70 | 1.51 | 1.80 | 2.10 | 2.72 | 3.96 | 3.93 | 7.66 | 7.58 | 12.18 | 11.99 | 22.82 | 1.12 | -0.14 | 1.01 | 0 | 0.87 | 0.44 | |
| 2.03 / 80 | 1.73 | 2.07 | 2.42 | 3.13 | 3.12 | 4.54 | 4.51 | 8.78 | 8.69 | 13.94 | 13.75 | 26.13 | 1.29 | -0.16 | 1.16 | 0 | 1.00 | 0.50 |
| 2.29 / 90 | 1.95 | 2.33 | 2.73 | 3.53 | 3.52 | 5.12 | 5.08 | 9.90 | 9.79 | 15.70 | 15.52 | 29.45 | 1.46 | -0.18 | 1.30 | 0 | 1.12 | 0.56 |
| 2.54 / 100 | 2.18 | 2.60 | 3.04 | 3.94 | 3.92 | 5.70 | 5.66 | 11.02 | 10.90 | 17.47 | 17.29 | 32.76 | 1.63 | -0.20 | 1.44 | 0 | 1.25 | 0.62 |
| 3.05 / 120 | 2.62 | 3.13 | 3.67 | 4.74 | 4.72 | 6.86 | 6.82 | 13.26 | 13.11 | 20.99 | 20.82 | 39.38 | 1.97 | -0.24 | 1.73 | 0 | 1.49 | 0.75 |
| 3.81 / 150 | 3.29 | 3.94 | 4.61 | 5.96 | 5.92 | 8.61 | 8.55 | 16.62 | 16.43 | 26.28 | 26.13 | 49.32 | 2.48 | -0.30 | 2.17 | 0 | 1.87 | 0.93 |
| 5.08 / 200 | 4.41 | 5.27 | 6.17 | 7.98 | 7.92 | 11.52 | 11.44 | 22.22 | 21.96 | 35.10 | 34.97 | 65.88 | 3.33 | -0.40 | 2.89 | 0 | 2.49 | 1.25 |
| 6.35 / 250 | 5.52 | 6.61 | 7.74 | 10.00 | 9.92 | 14.43 | 14.32 | 27.82 | 27.49 | 43.91 | 43.80 | 82.43 | 4.17 | -0.50 | 3.61 | 0 | 3.11 | 1.56 |
| 7.62 / 300 | 6.64 | 7.95 | 9.30 | 12.02 | 11.93 | 17.33 | 17.21 | 33.42 | 33.01 | 52.73 | 52.64 | 98.99 | 5.02 | -0.60 | 4.33 | 0 | 3.74 | 1.87 |
| 8.89 / 350 | 7.75 | 9.28 | 10.86 | 14.05 | 13.93 | 20.24 | 20.10 | 39.02 | 38.54 | 61.54 | 61.48 | 115.55 | 5.87 | -0.70 | 5.06 | 0 | 4.36 | 2.18 |
| 10.16 / 400 | 8.87 | 10.62 | 12.43 | 16.07 | 15.93 | 23.15 | 22.99 | 44.62 | 44.07 | 70.36 | 70.32 | 132.11 | 6.72 | -0.80 | 5.78 | 0 | 4.98 | 2.49 |
| 12.70 / 500 | 11.10 | 13.30 | 15.56 | 20.11 | 19.93 | 28.97 | 28.76 | 55.82 | 55.13 | 87.98 | 87.99 | 165.23 | 8.42 | -1.00 | 7.22 | 0 | 6.23 | 3.11 |
| 15.24 / 600 | 13.33 | 15.97 | 18.69 | 24.16 | 23.94 | 34.78 | 34.54 | 67.02 | 66.19 | 105.61 | 105.67 | 198.35 | 10.12 | -1.20 | 8.67 | 0 | 7.47 | 3.74 |
| 25.40 / 1000 | 22.26 | 26.66 | 31.20 | 40.33 | 39.95 | 58.05 | 57.64 | 111.82 | 110.42 | 176.13 | 176.37 | - | 16.91 | -1.99 | 14.45 | 0 | 12.45 | 6.23 |

Unit: feet

| Screen size (diagonal) | Distance to screen (L) | | | | | | | | | | | | Height from the edge of screen to center of lens (H) | | | | | |
|---------------------------|------------------------|------|-------------------------|-------|-------------------------|-------|-------------------------|-------|-------------------------|-------|------------------------|-------------|---|---------------------|---------------------|-----------|------|------|
| | Zoom | | | | | | | | | | | Fixed-focus | Zoom lenses | | Fixed-focus lens | | | |
| | ET-D75LE6 Zoom lens | | ET-D75LE10 Zoom lens | | ET-D75LE20 Zoom lens | | ET-D75LE30 Zoom lens | | ET-D75LE40 Zoom lens | | ET-D75LE8 Zoom lens | | ET-D75LE50 Fixed-focus lens | Except ET-D75LE6 | | ET-D75LE6 | | |
| [m] / [in] | min. | max. | min. | max. | min. | max. | min. | max. | min. | max. | min. | max. | min. | max. | min. | max. | min. | max. |
| 1.78 / 70 | 4.9 | 5.9 | 6.9 | 8.9 | 8.9 | 13.0 | 12.9 | 25.1 | 24.9 | 40.0 | 39.3 | 74.9 | 3.7 | -0.5 | 3.3 | 0 | 2.9 | 1.4 |
| 2.03 / 80 | 5.7 | 6.8 | 7.9 | 10.3 | 10.2 | 14.9 | 14.8 | 28.8 | 28.5 | 45.7 | 45.1 | 85.7 | 4.2 | -0.5 | 3.8 | 0 | 3.3 | 1.6 |
| 2.29 / 90 | 6.4 | 7.7 | 9.0 | 11.6 | 11.5 | 16.8 | 16.7 | 32.5 | 32.1 | 51.5 | 50.9 | 96.6 | 4.8 | -0.6 | 4.3 | 0 | 3.7 | 1.8 |
| 2.54 / 100 | 7.1 | 8.5 | 10.0 | 12.9 | 12.9 | 18.7 | 18.6 | 36.2 | 35.8 | 57.3 | 56.7 | 107.5 | 5.3 | -0.7 | 4.7 | 0 | 4.1 | 2.0 |
| 3.05 / 120 | 8.6 | 10.3 | 12.0 | 15.6 | 15.5 | 22.5 | 22.4 | 43.5 | 43.0 | 68.9 | 68.3 | 129.2 | 6.5 | -0.8 | 5.7 | 0 | 4.9 | 2.5 |
| 3.81 / 150 | 10.8 | 12.9 | 15.1 | 19.5 | 19.4 | 28.2 | 28.0 | 54.5 | 53.9 | 86.2 | 85.7 | 161.8 | 8.1 | -1.0 | 7.1 | 0 | 6.1 | 3.1 |
| 5.08 / 200 | 14.5 | 17.3 | 20.2 | 26.2 | 26.0 | 37.8 | 37.5 | 72.9 | 72.0 | 115.1 | 114.7 | 216.1 | 10.9 | -1.3 | 9.5 | 0 | 8.2 | 4.1 |
| 6.35 / 250 | 18.1 | 21.7 | 25.4 | 32.8 | 32.6 | 47.3 | 47.0 | 91.3 | 90.2 | 144.1 | 143.7 | 270.5 | 13.7 | -1.6 | 11.8 | 0 | 10.2 | 5.1 |
| 7.62 / 300 | 21.8 | 26.1 | 30.5 | 39.4 | 39.1 | 56.9 | 56.5 | 109.7 | 108.3 | 173.0 | 172.7 | 324.8 | 16.5 | -2.0 | 14.2 | 0 | 12.3 | 6.1 |
| 8.89 / 350 | 25.4 | 30.5 | 35.6 | 46.1 | 45.7 | 66.4 | 65.9 | 128.0 | 126.5 | 201.9 | 201.7 | 379.1 | 19.3 | -2.3 | 16.6 | 0 | 14.3 | 7.2 |
| 10.16 / 400 | 29.1 | 34.8 | 40.8 | 52.7 | 52.3 | 76.0 | 75.4 | 146.4 | 144.6 | 230.8 | 230.7 | 433.4 | 22.1 | -2.6 | 19.0 | 0 | 16.3 | 8.2 |
| 12.70 / 500 | 36.4 | 43.6 | 51.0 | 66.0 | 65.4 | 95.0 | 94.4 | 183.1 | 180.9 | 288.7 | 288.7 | 542.1 | 27.6 | -3.3 | 23.7 | 0 | 20.4 | 10.2 |
| 15.24 / 600 | 43.7 | 52.4 | 61.3 | 79.2 | 78.5 | 114.1 | 113.3 | 219.9 | 217.2 | 346.5 | 346.7 | 650.7 | 33.2 | -3.9 | 28.4 | 0 | 24.5 | 12.3 |
| 25.40 / 1000 | 73.0 | 87.5 | 102.4 | 132.3 | 131.1 | 190.5 | 189.1 | 366.9 | 362.3 | 577.9 | 578.6 | - | 55.5 | -6.5 | 47.4 | 0 | 40.9 | 20.4 |

- The value for L (distance to screen) varies slightly within ±5% depending on the zoom lens characteristics.
 - At the shortest projection distance, the zoom lens characteristics may cause slight image distortion.
 - When vertical keystone correction is used, the image is corrected in the direction that reduces its projected size.
- NOTE: When the ET-D75LE50 is mounted, the optical lens shift function cannot be used.

Calculation of the projection distance

For a screen size different from the above, use the equation below to calculate the projection distance.

Aspect ratio 16:10**Zoom lenses**

| | | |
|------------|---------|--|
| ET-D75LE6 | minimum | $L (m) = (\text{diagonal screen size in inches}) \times 0.0217 - 0.0566$ |
| | maximum | $L (m) = (\text{diagonal screen size in inches}) \times 0.0260 - 0.0736$ |
| ET-D75LE10 | minimum | $L (m) = (\text{diagonal screen size in inches}) \times 0.0304 - 0.0857$ |
| | maximum | $L (m) = (\text{diagonal screen size in inches}) \times 0.0393 - 0.1085$ |
| ET-D75LE20 | minimum | $L (m) = (\text{diagonal screen size in inches}) \times 0.0389 - 0.0832$ |
| | maximum | $L (m) = (\text{diagonal screen size in inches}) \times 0.0566 - 0.1162$ |
| ET-D75LE30 | minimum | $L (m) = (\text{diagonal screen size in inches}) \times 0.0562 - 0.1131$ |
| | maximum | $L (m) = (\text{diagonal screen size in inches}) \times 0.1090 - 0.1765$ |
| ET-D75LE40 | minimum | $L (m) = (\text{diagonal screen size in inches}) \times 0.1076 - 0.1577$ |
| | maximum | $L (m) = (\text{diagonal screen size in inches}) \times 0.1715 - 0.1615$ |
| ET-D75LE8 | minimum | $L (m) = (\text{diagonal screen size in inches}) \times 0.1720 - 0.3862$ |
| | maximum | $L (m) = (\text{diagonal screen size in inches}) \times 0.3222 - 0.3598$ |

Fixed-focus lens

| | |
|------------|--|
| ET-D75LE50 | $L (m) = (\text{diagonal screen size in inches}) \times 0.0165 - 0.0713$ |
|------------|--|

Aspect ratio 16:9**Zoom lenses**

| | | |
|------------|---------|--|
| ET-D75LE6 | minimum | $L (m) = (\text{diagonal screen size in inches}) \times 0.0223 - 0.0566$ |
| | maximum | $L (m) = (\text{diagonal screen size in inches}) \times 0.0267 - 0.0736$ |
| ET-D75LE10 | minimum | $L (m) = (\text{diagonal screen size in inches}) \times 0.0313 - 0.0857$ |
| | maximum | $L (m) = (\text{diagonal screen size in inches}) \times 0.0404 - 0.1085$ |
| ET-D75LE20 | minimum | $L (m) = (\text{diagonal screen size in inches}) \times 0.0400 - 0.0832$ |
| | maximum | $L (m) = (\text{diagonal screen size in inches}) \times 0.0582 - 0.1162$ |
| ET-D75LE30 | minimum | $L (m) = (\text{diagonal screen size in inches}) \times 0.0578 - 0.1131$ |
| | maximum | $L (m) = (\text{diagonal screen size in inches}) \times 0.1120 - 0.1765$ |
| ET-D75LE40 | minimum | $L (m) = (\text{diagonal screen size in inches}) \times 0.1106 - 0.1577$ |
| | maximum | $L (m) = (\text{diagonal screen size in inches}) \times 0.1763 - 0.1615$ |
| ET-D75LE8 | minimum | $L (m) = (\text{diagonal screen size in inches}) \times 0.1768 - 0.3862$ |
| | maximum | $L (m) = (\text{diagonal screen size in inches}) \times 0.3312 - 0.3598$ |

Fixed-focus lens

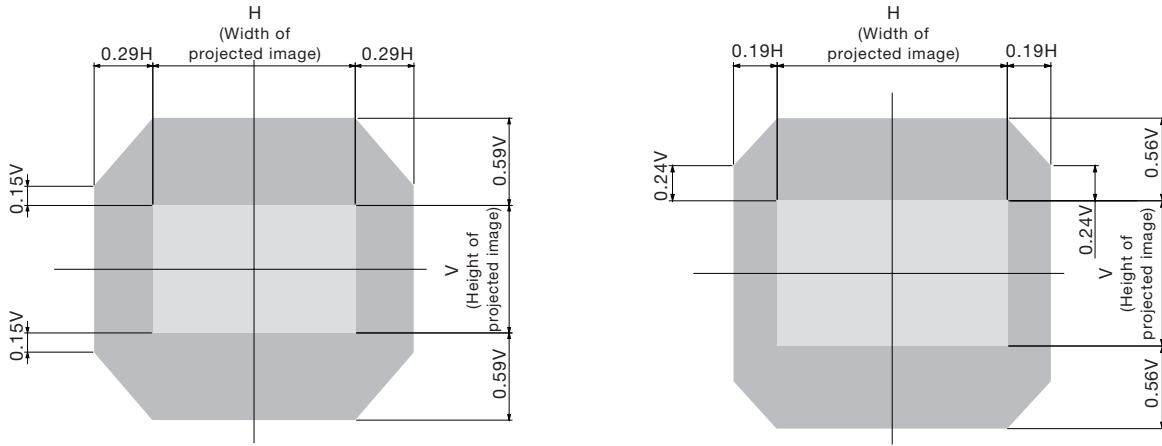
| | |
|------------|--|
| ET-D75LE50 | $L (m) = (\text{diagonal screen size in inches}) \times 0.0170 - 0.0713$ |
|------------|--|

• Distances calculated with the above equations will include slight deviations.

Shift range

Optical axis shift function allows to shift the position of a projected image as shown below.

- When the lens except the ET-D75LE6 is mounted
- When the ET-D75LE6 is mounted

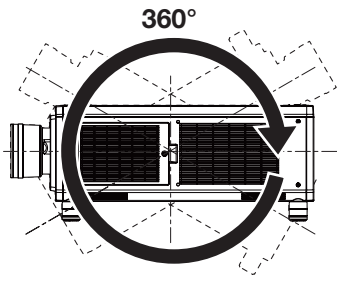


NOTE: Because the ET-D75LE50 is a fixed short-throw lens, the lens shift function cannot be used with it.

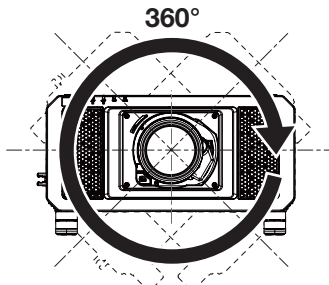
Installable angle

Install the projector at an angle within the range shown below.

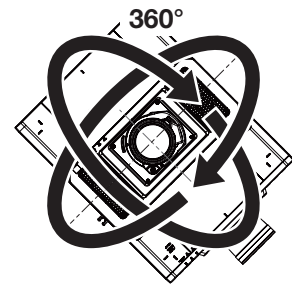
FULL 360-degree projection



Vertical 360-deg.



Horizontal 360-deg.



**Tilting 360-deg.
(V&H combination)**

List of compatible signals

The following table specifies the video signals compatible with the projector.

- The content of the compatible signal column is as follows.
- 1.Single link (displays one image using one input signal.)
- 2.Dual link (displays one image using two input signal.)
- 3.Quad link (displays one image using four input signal.)

| Signal format | Resolution (Dots) | Scanning freq. | | | Dot clock freq. (MHz) | SDI*1 | | | Compatible signal | | | DVI-D*3 | | |
|----------------|-------------------|----------------|--------|-------|-----------------------|-------|---------|------|-------------------|--------|---|---------|---|---|
| | | H (KHz) | V (Hz) | | | 1 | 2 | 3 | DIGITAL LINK | HDMI*2 | 1 | 2 | 3 | |
| 480i | 712 483i | 15.7 | 59.9 | 13.5 | ✓ | - | - | - | - | - | - | - | - | - |
| 576i | 702x575i | 15.6 | 50.0 | 13.5 | ✓ | - | - | - | - | - | - | - | - | - |
| 480i | 720(1440)x480i*4 | 15.7 | 59.9 | 27.0 | - | - | - | ✓ | ✓ | - | - | ✓ | - | - |
| 576i | 720(1440)x576i | 15.6 | 50.0 | 27.0 | - | - | - | ✓ | ✓ | - | - | ✓ | - | - |
| 480p | 720x480 | 31.5 | 59.9 | 27.0 | - | - | - | ✓ | ✓ | - | - | ✓ | - | - |
| 576p | 720x576 | 31.3 | 50.0 | 27.0 | - | - | - | ✓ | ✓ | - | - | ✓ | - | - |
| 720/60p | 1280x720 | 45.0 | 60.0 | 74.3 | ✓ | - | - | ✓ | ✓ | - | - | ✓ | - | - |
| 720/50p | 1280x720 | 37.5 | 50.0 | 74.3 | ✓ | - | - | ✓ | ✓ | - | - | ✓ | - | - |
| 1080/60i | 1920x1080i | 33.8 | 60.0 | 74.3 | ✓ | ✓*5 | - | ✓ | ✓ | - | - | ✓ | - | - |
| 1080/50i | 1920x1080i | 28.1 | 50.0 | 74.3 | ✓ | ✓*5 | - | ✓ | ✓ | - | - | ✓ | - | - |
| 1080/24p | 1920x1080i | 27.0 | 24.0 | 74.3 | ✓ | ✓*5 | - | ✓ | ✓ | - | - | ✓ | - | - |
| 1080/24sF | 1920x1080i | 27.0 | 48.0 | 74.3 | ✓ | ✓*5 | - | ✓ | ✓ | - | - | ✓ | - | - |
| 1080/25p | 1920x1080i | 28.1 | 25.0 | 74.3 | ✓ | ✓*5 | - | ✓ | ✓ | - | - | ✓ | - | - |
| 1080/25sF | 1920x1080i | 28.1 | 50.0 | 74.3 | ✓ | ✓*5 | - | - | - | - | - | - | - | - |
| 1080/30p | 1920x1080i | 33.8 | 30.0 | 74.3 | ✓ | ✓*5 | - | ✓ | ✓ | - | - | ✓ | - | - |
| 1080/30sF | 1920x1080i | 33.8 | 60.0 | 74.3 | ✓ | ✓*5 | - | - | - | - | - | - | - | - |
| 1080/60p | 1920x1080i | 67.5 | 60.0 | 148.5 | ✓ | ✓*5*6 | - | ✓ | ✓ | - | - | ✓ | - | - |
| 1080/50p | 1920x1080i | 56.3 | 50.0 | 148.5 | ✓ | ✓*5*6 | - | ✓ | ✓ | - | - | ✓ | - | - |
| 2K/24p | 2048x1080 | 27.0 | 24.0 | 74.3 | ✓ | ✓*5 | - | - | - | - | - | ✓ | - | - |
| 2K/24sF | 2048x1080 | 27.0 | 48.0 | 74.3 | ✓ | ✓*5 | - | - | - | - | - | - | - | - |
| 2K/25p | 2048x1080 | 28.1 | 25.0 | 74.3 | ✓ | ✓*5 | - | ✓ | ✓ | - | - | ✓ | - | - |
| 2K/25sF | 2048x1080 | 28.1 | 50.0 | 74.3 | ✓ | ✓*5 | - | - | - | - | - | - | - | - |
| 2K/30p | 2048x1080 | 33.8 | 30.0 | 74.3 | ✓ | ✓*5 | - | ✓ | ✓ | - | - | ✓ | - | - |
| 2K/30sF | 2048x1080 | 33.8 | 60.0 | 74.3 | ✓ | ✓*5 | - | - | - | - | - | - | - | - |
| 2K/48p | 2048x1080 | 54.0 | 48.0 | 148.5 | ✓*7 | ✓*6*7 | - | ✓ | ✓ | - | - | ✓ | - | - |
| 2K60p | 2048x1080 | 67.5 | 60.0 | 148.5 | ✓ | ✓*6 | - | ✓ | ✓ | - | - | ✓ | - | - |
| 2K50p | 2048x1080 | 56.3 | 50.0 | 148.5 | ✓ | ✓*6 | - | ✓ | ✓ | - | - | ✓ | - | - |
| 3840x2160/24p | 3840x2160 | 54.0 | 24.0 | 279.0 | - | ✓*6 | ✓*8*9 | ✓ | ✓ | ✓ | ✓ | - | ✓ | ✓ |
| 3840x2160/24sF | 3840x2160i | 54.0 | 48.0 | 279.0 | - | ✓*6 | ✓*8*9 | - | - | - | - | - | - | - |
| 3840x2160/25p | 3840x2160 | 56.3 | 25.0 | 279.0 | - | ✓*6 | ✓*8*9 | ✓ | ✓ | ✓ | ✓ | - | ✓ | ✓ |
| 3840x2160/25sF | 3840x2160i | 56.3 | 50.0 | 279.0 | - | ✓*6 | ✓*8*9 | - | - | - | - | - | - | - |
| 3840x2160/30p | 3840x2160 | 67.5 | 30.0 | 279.0 | - | ✓*6 | ✓*8*9 | ✓ | ✓ | ✓ | ✓ | - | ✓ | ✓ |
| 3840x2160/30sF | 3840x2160i | 67.5 | 60.0 | 279.0 | - | ✓*6 | ✓*8*9 | - | - | - | - | - | - | - |
| 3840x2160/60p | 3840x2160 | 135.0 | 60.0 | 279.0 | - | - | - | ✓*10 | ✓*10 | - | - | - | - | - |
| | 3840x2160 | 135.0 | 60.0 | 594.0 | - | - | ✓*9 | - | ✓ | ✓ | ✓ | - | - | ✓ |
| 3840x2160/50p | 3840x2160 | 112.5 | 50.0 | 297.0 | - | - | - | ✓*10 | ✓*10 | - | - | - | - | - |
| | 3840x2160 | 112.5 | 50.0 | 594.0 | - | - | ✓*9 | - | ✓ | ✓ | ✓ | - | - | ✓ |
| 3840x2400/60p | 3840x2400 | 74.0 | 60.0 | 616.0 | - | - | - | - | - | - | ✓ | - | - | ✓ |
| 3840x2400/50p | 3840x2400 | 61.8 | 49.9 | 633.0 | - | - | - | - | - | - | ✓ | - | - | ✓ |
| 4096x2160/24p | 4096x2160 | 54.0 | 24.0 | 297.0 | - | ✓*6 | ✓*8*9 | ✓ | ✓ | ✓ | ✓ | - | ✓ | ✓ |
| 4096x2160/24sF | 4096x2160i | 54.0 | 48.0 | 297.0 | - | ✓*6*7 | ✓*7*8*9 | - | - | - | - | - | - | - |
| 4096x2160/25p | 4096x2160 | 56.3 | 25.0 | 297.0 | - | ✓*6 | ✓*8*9 | ✓ | ✓ | ✓ | ✓ | - | ✓ | ✓ |
| 4096x2160/25sF | 4096x2160i | 56.3 | 50.0 | 297.0 | - | ✓*6*7 | ✓*7*8*9 | - | - | - | - | - | - | - |
| 4096x2160/30p | 4096x2160 | 67.5 | 30.0 | 297.0 | - | ✓*6 | ✓*8*9 | ✓ | ✓ | ✓ | ✓ | - | ✓ | ✓ |
| 4096x2160/30sF | 4096x2160i | 67.5 | 60.0 | 297.0 | - | ✓*6*7 | ✓*7*8*9 | - | - | - | - | - | - | - |
| 4096x2160/60p | 4096x2160 | 135.0 | 60.0 | 297.0 | - | - | - | ✓*10 | ✓*10 | - | - | - | - | - |
| | 4096x2160 | 135.0 | 60.0 | 594.0 | - | - | ✓*9 | - | ✓ | ✓ | ✓ | - | - | ✓ |
| 4096x2160/50p | 4096x2160 | 112.5 | 50.0 | 297.0 | - | - | - | ✓*10 | ✓*10 | - | - | - | - | - |
| | 4096x2160 | 112.5 | 50.0 | 594.0 | - | - | ✓*9 | - | ✓ | ✓ | ✓ | - | - | ✓ |

The following table specifies the video signals compatible with the projector.

- The content of the compatible signal column is as follows.
- 1.Single link (displays one image using one input signal.)
- 2.Dual link (displays one image using two input signal.)
- 3.Quad link (displays one image using four input signal.)

| Signal format | Resolution (Dots) | Scanning freq. | | | Dot clock freq. (MHz) | SDI*1 | | | Compatible signal | | | DVI-D*3 | | |
|---------------|-------------------|----------------|--------|-------|-----------------------|-------|---|---|-------------------|--------|---|---------|---|---|
| | | H (KHz) | V (Hz) | | | 1 | 2 | 3 | DIGITAL LINK | HDMI*2 | | | 1 | 2 |
| 640x400/70 | 640x400 | 31.5 | 70.1 | 25.2 | - | - | - | ✓ | ✓ | - | - | ✓ | - | - |
| 640x400/85 | 640x400 | 37.9 | 85.1 | 31.5 | - | - | - | ✓ | ✓ | - | - | ✓ | - | - |
| 640x480/60 | 640x480 | 31.5 | 59.9 | 25.2 | - | - | - | ✓ | ✓ | - | - | ✓ | - | - |
| 640x480/67 | 640x480 | 35.0 | 66.7 | 30.2 | - | - | - | ✓ | ✓ | - | - | ✓ | - | - |
| 640x480/73 | 640x480 | 37.9 | 72.8 | 31.5 | - | - | - | ✓ | ✓ | - | - | ✓ | - | - |
| 640x480/75 | 640x480 | 37.5 | 75.0 | 31.5 | - | - | - | ✓ | ✓ | - | - | ✓ | - | - |
| 640x480/85 | 640x480 | 43.3 | 85.0 | 36.0 | - | - | - | ✓ | ✓ | - | - | ✓ | - | - |
| 800x600/56 | 800x600 | 35.2 | 56.3 | 36.0 | - | - | - | ✓ | ✓ | - | - | ✓ | - | - |
| 800x600/60 | 800x600 | 37.9 | 60.3 | 40.0 | - | - | - | ✓ | ✓ | - | - | ✓ | - | - |
| 800x600/72 | 800x600 | 48.1 | 72.2 | 50.0 | - | - | - | ✓ | ✓ | - | - | ✓ | - | - |
| 800x600/75 | 800x600 | 46.9 | 75.0 | 49.5 | - | - | - | ✓ | ✓ | - | - | ✓ | - | - |
| 800x600/85 | 800x600 | 53.7 | 85.1 | 56.3 | - | - | - | ✓ | ✓ | - | - | ✓ | - | - |
| 832x624/75 | 832x624 | 49.7 | 74.6 | 57.3 | - | - | - | ✓ | ✓ | - | - | ✓ | - | - |
| 1024x768/50 | 1024x768 | 39.6 | 50.0 | 51.9 | - | - | - | ✓ | ✓ | - | - | ✓ | - | - |
| 1024x768/60 | 1024x768 | 48.4 | 60.0 | 65.0 | - | - | - | ✓ | ✓ | - | - | ✓ | - | - |
| 1024x768/70 | 1024x768 | 56.5 | 70.1 | 75.0 | - | - | - | ✓ | ✓ | - | - | ✓ | - | - |
| 1024x768/75 | 1024x768 | 60.0 | 75.0 | 78.8 | - | - | - | ✓ | ✓ | - | - | ✓ | - | - |
| 1024x768/82 | 1024x768 | 65.5 | 81.6 | 86.0 | - | - | - | ✓ | ✓ | - | - | ✓ | - | - |
| 1024x768/85 | 1024x768 | 68.7 | 85.0 | 94.5 | - | - | - | ✓ | ✓ | - | - | ✓ | - | - |
| 1024x768/100 | 1024x768 | 81.4 | 100.0 | 113.3 | - | - | - | ✓ | ✓ | - | - | ✓ | - | - |
| 1024x768/120 | 1024x768 | 98.7 | 120.0 | 139.1 | - | - | - | ✓ | ✓ | - | - | ✓ | - | - |
| 1152x864/60 | 1152x864 | 53.7 | 60.0 | 81.6 | - | - | - | ✓ | ✓ | - | - | ✓ | - | - |
| 1152x864/70 | 1152x864 | 64.0 | 70.0 | 94.2 | - | - | - | ✓ | ✓ | - | - | ✓ | - | - |
| 1152x864/75 | 1152x864 | 67.5 | 75.0 | 108.0 | - | - | - | ✓ | ✓ | - | - | ✓ | - | - |
| 1152x864/85 | 1152x864 | 77.1 | 85.0 | 119.7 | - | - | - | ✓ | ✓ | - | - | ✓ | - | - |
| 1152x870/75 | 1152x870 | 68.7 | 75.1 | 100.0 | - | - | - | ✓ | ✓ | - | - | ✓ | - | - |
| 1280x720/50 | 1280x720 | 37.1 | 49.8 | 60.5 | - | - | - | ✓ | ✓ | - | - | ✓ | - | - |
| 1280x720/60 | 1280x720 | 44.8 | 59.9 | 74.5 | - | - | - | ✓ | ✓ | - | - | ✓ | - | - |
| 1280x720/100 | 1280x720 | 76.3 | 100.0 | 131.8 | - | - | - | ✓ | ✓ | - | - | ✓ | - | - |
| 1280x720/120 | 1280x720 | 92.6 | 120.0 | 161.6 | - | - | - | ✓ | ✓ | - | - | ✓ | - | - |
| 1280x768/50 | 1280x768 | 39.6 | 49.9 | 65.3 | - | - | - | ✓ | ✓ | - | - | ✓ | - | - |
| 1280x768/60 | 1280x768 | 47.8 | 59.9 | 79.5 | - | - | - | ✓ | ✓ | - | - | ✓ | - | - |
| | 1280x768*11 | 47.4 | 60.0 | 68.3 | - | - | - | ✓ | ✓ | - | - | ✓ | - | - |
| 1280x768/75 | 1280x768 | 60.3 | 74.9 | 102.3 | - | - | - | ✓ | ✓ | - | - | ✓ | - | - |
| 1280x768/85 | 1280x768 | 68.6 | 84.8 | 117.5 | - | - | - | ✓ | ✓ | - | - | ✓ | - | - |
| 1280x800/50 | 1280x800 | 41.3 | 50.0 | 68.0 | - | - | - | ✓ | ✓ | - | - | ✓ | - | - |
| 1280x800/60 | 1280x800 | 49.7 | 59.8 | 83.5 | - | - | - | ✓ | ✓ | - | - | ✓ | - | - |
| | 1280x800*11 | 49.3 | 59.9 | 71.0 | - | - | - | ✓ | ✓ | - | - | ✓ | - | - |
| 1280x800/75 | 1280x800 | 62.8 | 74.9 | 106.5 | - | - | - | ✓ | ✓ | - | - | ✓ | - | - |
| 1280x800/85 | 1280x800 | 71.6 | 84.9 | 122.5 | - | - | - | ✓ | ✓ | - | - | ✓ | - | - |
| 1280x960/60 | 1280x960 | 60.0 | 60.0 | 108.0 | - | - | - | ✓ | ✓ | - | - | ✓ | - | - |
| 1280x1024/50 | 1280x1024 | 52.4 | 50.0 | 88.0 | - | - | - | ✓ | ✓ | - | - | ✓ | - | - |
| 1280x1024/60 | 1280x1024 | 64.0 | 60.0 | 108.0 | - | - | - | ✓ | ✓ | - | - | ✓ | - | - |
| 1280x1024/66 | 1280x1024 | 72.3 | 66.3 | 125.0 | - | - | - | ✓ | ✓ | - | - | ✓ | - | - |
| 1280x1024/72 | 1280x1024 | 78.2 | 72.0 | 135.1 | - | - | - | ✓ | ✓ | - | - | ✓ | - | - |
| 1280x1024/75 | 1280x1024 | 80.0 | 75.0 | 135.0 | - | - | - | ✓ | ✓ | - | - | ✓ | - | - |
| 1280x1024/85 | 1280x1024 | 91.1 | 85.0 | 157.5 | - | - | - | ✓ | ✓ | - | - | ✓ | - | - |
| 1366x768/50 | 1366x768 | 39.6 | 49.9 | 69.0 | - | - | - | ✓ | ✓ | - | - | ✓ | - | - |
| 1366x768/60 | 1366x768 | 47.7 | 59.8 | 85.5 | - | - | - | ✓ | ✓ | - | - | ✓ | - | - |

The following table specifies the video signals compatible with the projector.

- The content of the compatible signal column is as follows.
 - 1.Single link (displays one image using one input signal.)
 - 2.Dual link (displays one image using two input signal.)
 - 3.Quad link (displays one image using four input signal.)

| Signal format | Resolution (Dots) | Scanning freq. | | | Dot clock freq. (MHz) | Compatible signal | | | | | | | | |
|----------------|-------------------|----------------|--------|-------|-----------------------|-------------------|---|---|--------------|--------|---|---|---------|---|
| | | H (KHz) | V (Hz) | | | SDI*1 | | | DIGITAL LINK | HDMI*2 | | | DVI-D*3 | |
| | | | | | 1 | 2 | 3 | | 1 | 2 | 3 | 1 | 2 | 3 |
| 1400x1050/50 | 1400x1050 | 54.1 | 50.0 | 99.9 | - | - | - | ✓ | ✓ | - | - | ✓ | - | - |
| | 1400x1050 | 64.0 | 60.0 | 108.0 | - | - | - | ✓ | ✓ | - | - | ✓ | - | - |
| 1400x1050/60 | 1400x1050 | 65.3 | 60.0 | 121.8 | - | - | - | ✓ | ✓ | - | - | ✓ | - | - |
| | 1400x1050 | 65.2 | 60.0 | 122.6 | - | - | - | ✓ | ✓ | - | - | ✓ | - | - |
| 1400x1050/72 | 1400x1050 | 78.8 | 72.0 | 149.3 | - | - | - | ✓ | ✓ | - | - | ✓ | - | - |
| 1400x1050/75 | 1400x1050 | 82.2 | 75.0 | 155.9 | - | - | - | ✓ | ✓ | - | - | ✓ | - | - |
| 1440x900/50 | 1440x900 | 46.3 | 49.9 | 86.8 | - | - | - | ✓ | ✓ | - | - | ✓ | - | - |
| 1440x900/60 | 1440x900 | 55.9 | 59.9 | 106.5 | - | - | - | ✓ | ✓ | - | - | ✓ | - | - |
| 1600x900/50 | 1600x900 | 46.4 | 49.9 | 96.5 | - | - | - | ✓ | ✓ | - | - | ✓ | - | - |
| 1600x900/60 | 1600x900 | 55.9 | 60.0 | 119.0 | - | - | - | ✓ | ✓ | - | - | ✓ | - | - |
| 1600x1200/50 | 1600x1200 | 61.8 | 49.9 | 131.5 | - | - | - | ✓ | ✓ | - | - | ✓ | - | - |
| 1600x1200/60 | 1600x1200 | 75.0 | 60.0 | 162.0 | - | - | - | ✓ | ✓ | - | - | ✓ | - | - |
| 1680x1050/50 | 1680x1050 | 54.1 | 50.0 | 119.5 | - | - | - | ✓ | ✓ | - | - | ✓ | - | - |
| 1680x1050/60 | 1680x1050 | 65.3 | 60.0 | 146.3 | - | - | - | ✓ | ✓ | - | - | ✓ | - | - |
| 1920x1080/50 | 1920x1080 | 55.6 | 49.9 | 141.5 | - | - | - | ✓ | ✓ | - | - | ✓ | - | - |
| 1920x1080/60 | 1920x1080*11 | 66.6 | 59.9 | 138.5 | - | - | - | ✓ | ✓ | - | - | ✓ | - | - |
| | 1920x1080 | 67.2 | 60.0 | 173.0 | - | - | - | ✓ | ✓ | - | - | - | - | - |
| 1920x1200/50 | 1920x1200 | 61.8 | 49.9 | 158.3 | - | - | - | ✓ | ✓ | - | - | ✓ | - | - |
| 1920x1200/60 | 1920x1200 | 74.6 | 59.9 | 193.3 | - | - | - | ✓ | ✓ | - | - | - | - | - |
| 1920x1200/60RB | 1920x1200*11 | 74.0 | 60.0 | 154.0 | - | - | - | ✓ | ✓ | - | - | ✓ | - | - |
| 2560x1600/50 | 2560x1600 | 82.4 | 50.0 | 286.0 | - | - | - | ✓ | ✓ | - | - | - | - | - |
| 2560x1600/60 | 2560x1600*11 | 98.7 | 60.0 | 268.5 | - | - | - | ✓ | ✓ | - | - | - | - | - |

*1 In addition to the standard SDI input , this supports the input from the optional 3G-SDI Terminal Board with Audio (Model No.:TY-TBN03G) installed in the slot. Optional 3G-SDI Terminal Board with Audio(Model No.:TY-TBN03G) is required to be installed to both of <SLOT1> and <SLOT2> when performing quad link using the input of the optional 3G-SDI (Model No.:TY-TBN03G) installed in the slot. <Projector firmware and board firmware must be updated to Version 2.0 or later (scheduled February 2016) before using the optional 3G-SDI Terminal Board (TY-TBN03G). Contact your sales representative for more information.>

*2 This is supported when the optional interface board for HDMI 2 input (Model No.:ET-MDNHM10) is installed in the slot Quad link is supported only when the optional Interface Board for HDMI 2 input (Model No.:ET-MDNHM10) is installed on both <SLOT1> and <SLOT2>.

*3 This is supported when the optional interface board for DVI-D 2 input (Model No.:ET-MDNDV10) is installed in the slot Quad link is supported only when the optional Interface Board for DVI-D 2 input (Model No.:ET-MDNDV10) is installed on both <SLOT1> and <SLOT2>.

*4 Pixel-Repetition signal (dot clock frequency 27.0 MHz) only

*5 Dual link HD-SDI signal is supported.

*6 Dual link 3G-SDI signal is supported.

*7 The optional SG-SDI Terminal Board with Audio (Model No.:TY-TBN03G)is not supported.

*8 Quad link HD-SDI signal is supported.

*9 Quad link 3G-SDI signal is supported.

*10 YPBPR 4:2:0 format only

*11 VESA CVT-RB (Reduced Blanking)-compliant.

List of plug and play compatible signals

The following table specifies the video signals compatible with plug and play. Signal with ✓ in the plug and play compatible signal column is the signal described in the EDID (extended display identification data) of the projector. For the signal without ✓ in the plug and play compatible signal column, the resolution may not be selected on the computer even if the projector is supporting it.

| Signal format | Resolution (Dots) | Scanning freq. | | | Plug and play compatible signal | | | | | | | | | |
|------------------|-------------------|----------------|--------|-----------------------|---------------------------------|---------------|-----------|---------------|---------------|-----------|---------|-------|-------|---|
| | | H (KHz) | V (Hz) | Dot clock freq. (MHz) | DIGITAL LINK | | | HDMI*1 | | | DVI-D*2 | | | |
| | | | | | EDID1: 4K/60p | EDID2: 4K/30p | EDID3: 2K | EDID1: 4K/60p | EDID2: 4K/30p | EDID3: 2K | EDID1 | EDID2 | EDID3 | |
| 480i | 712 x 483i | 15.7 | 59.9 | 13.5 | - | - | - | - | - | - | - | - | - | - |
| 576i | 702 x 575i | 15.6 | 50.0 | 13.5 | - | - | - | - | - | - | - | - | - | - |
| 480i | 720(1440)x 480i*3 | 15.7 | 59.9 | 27.0 | - | - | - | - | - | - | - | - | - | - |
| 576i | 720(1440)x 576i*3 | 15.6 | 50.0 | 27.0 | - | - | - | - | - | - | - | - | - | - |
| 480p | 720 x 480 | 31.5 | 59.9 | 27.0 | ✓ | ✓ | ✓ | ✓ | ✓ | ✓ | ✓ | ✓ | - | ✓ |
| 576p | 720 x 576 | 31.3 | 50.0 | 27.0 | ✓ | ✓ | ✓ | ✓ | ✓ | ✓ | ✓ | ✓ | - | ✓ |
| 720/60p | 1280 x 720 | 45.0 | 60.0 | 74.3 | ✓ | ✓ | ✓ | ✓ | ✓ | ✓ | ✓ | ✓ | - | ✓ |
| 720/50p | 1280 x 720 | 37.5 | 50.0 | 74.3 | ✓ | ✓ | ✓ | ✓ | ✓ | ✓ | ✓ | ✓ | - | ✓ |
| 1080/60i | 1920 x 1080i | 33.8 | 60.0 | 74.3 | ✓ | ✓ | ✓ | ✓ | ✓ | ✓ | ✓ | ✓ | - | ✓ |
| 1080/50i | 1920 x 1080i | 28.1 | 50.0 | 74.3 | ✓ | ✓ | ✓ | ✓ | ✓ | ✓ | ✓ | ✓ | - | ✓ |
| 1080/24p | 1920 x 1080 | 27.0 | 24.0 | 74.3 | ✓ | ✓ | ✓ | ✓ | ✓ | ✓ | ✓ | ✓ | - | ✓ |
| 1080/24sF | 1920 x 1080i | 27.0 | 48.0 | 74.3 | - | - | - | - | - | - | - | - | - | - |
| 1080/25p | 1920 x 1080 | 28.1 | 25.0 | 74.3 | ✓ | ✓ | ✓ | ✓ | ✓ | ✓ | ✓ | ✓ | - | ✓ |
| 1080/25sF | 1920 x 1080 | 28.1 | 50.0 | 74.3 | - | - | - | - | - | - | - | - | - | - |
| 1080/30p | 1920 x 1080 | 33.8 | 30.0 | 74.3 | ✓ | ✓ | ✓ | ✓ | ✓ | ✓ | ✓ | ✓ | - | ✓ |
| 1080/30sF | 1920 x 1080 | 33.8 | 60.0 | 74.3 | - | - | - | - | - | - | - | - | - | - |
| 1080/60p | 1920 x 1080 | 67.5 | 60.0 | 148.5 | ✓ | ✓ | ✓ | ✓ | ✓ | ✓ | ✓ | ✓ | - | ✓ |
| 1080/50p | 1920 x 1080 | 56.3 | 50.0 | 148.5 | ✓ | ✓ | ✓ | ✓ | ✓ | ✓ | ✓ | ✓ | - | ✓ |
| 2K/24p | 2048 x 1080 | 27.0 | 24.0 | 74.3 | - | - | - | - | - | - | - | - | - | - |
| 2K/24sF | 2048 x 1080 | 27.0 | 48.0 | 74.3 | - | - | - | - | - | - | - | - | - | - |
| 2K/25p | 2048 x 1080 | 28.1 | 25.0 | 74.3 | - | - | - | - | - | - | - | - | - | - |
| 2K/25sF | 2048 x 1080 | 28.1 | 50.0 | 74.3 | - | - | - | - | - | - | - | - | - | - |
| 2K/30p | 2048 x 1080 | 33.8 | 30.0 | 74.3 | - | - | - | - | - | - | - | - | - | - |
| 2K/30sF | 2048 x 1080 | 33.8 | 60.0 | 74.3 | - | - | - | - | - | - | - | - | - | - |
| 2K/48p | 2048 x 1080 | 54.0 | 48.0 | 148.5 | - | - | - | - | - | - | - | - | - | - |
| 2K/60p | 2048 x 1080 | 67.5 | 60.0 | 148.5 | - | - | - | - | - | - | - | - | - | - |
| 2K/50p | 2048 x 1080 | 56.3 | 50.0 | 148.5 | - | - | - | - | - | - | - | - | - | - |
| 3840 x 2160/24p | 3840 x 2160 | 54.0 | 24.0 | 297.0 | ✓ | ✓ | - | ✓ | ✓ | - | - | - | - | - |
| 3840 x 2160/24sF | 3840 x 2160i | 54.0 | 48.0 | 297.0 | - | - | - | - | - | - | - | - | - | - |
| 3840 x 2160/25p | 3840 x 2160 | 56.3 | 25.0 | 297.0 | ✓ | ✓ | - | ✓ | ✓ | - | - | - | - | - |
| 3840 x 2160/25sF | 3840 x 2160i | 56.3 | 50.0 | 297.0 | - | - | - | - | - | - | - | - | - | - |
| 3840 x 2160/30p | 3840 x 2160 | 67.5 | 30.0 | 297.0 | ✓ | ✓ | - | ✓ | ✓ | - | - | - | - | - |
| 3840 x 2160/30sF | 3840 x 2160i | 67.5 | 60.0 | 297.0 | - | - | - | - | - | - | - | - | - | - |
| 3840 x 2160/60p | 3840 x 2160 | 135.0 | 60.0 | 297.0 | ✓*4 | - | - | ✓*4 | - | - | - | - | - | - |
| | 3840 x 2160 | 135.0 | 60.0 | 594.0 | - | - | - | ✓ | - | - | - | - | - | - |
| 3840 x 2160/50p | 3840 x 2160 | 112.5 | 50.0 | 297.0 | ✓*4 | - | - | ✓*4 | - | - | - | - | - | - |
| | 3840 x 2160 | 112.5 | 50.0 | 594.0 | - | - | - | ✓ | - | - | - | - | - | - |
| 3840 x 2400/60p | 3840 x 2 400 | 74.0 | 60.0 | 616.0 | - | - | - | - | - | - | - | - | - | - |
| 3840 x 2400/50p | 3840 x 2 400 | 61.8 | 49.9 | 633.0 | - | - | - | - | - | - | - | - | - | - |
| 4096 x 2160/24p | 4096 x 2160 | 54.0 | 24.0 | 297.0 | ✓ | ✓ | - | ✓ | ✓ | - | - | - | - | - |
| 4096 x 2160/24sF | 4096 x 2160i | 54.0 | 48.0 | 297.0 | - | - | - | - | - | - | - | - | - | - |
| 4096 x 2160/25p | 4096 x 2160 | 56.3 | 25.0 | 297.0 | ✓ | ✓ | - | ✓ | ✓ | - | - | - | - | - |
| 4096 x 2160/25sF | 4096 x 2160i | 56.3 | 50.0 | 297.0 | - | - | - | - | - | - | - | - | - | - |
| 4096 x 2160/30p | 4096 x 2160 | 67.5 | 30.0 | 297.0 | ✓ | ✓ | - | ✓ | ✓ | - | - | - | - | - |
| 4096 x 2160/30sF | 4096 x 2160i | 67.5 | 60.0 | 297.0 | - | - | - | - | - | - | - | - | - | - |
| 4096 x 2160/60p | 4096 x 2160 | 135.0 | 60.0 | 297.0 | ✓*4 | - | - | ✓*4 | - | - | - | - | - | - |
| | 4096 x 2160 | 135.0 | 60.0 | 594.0 | - | - | - | ✓ | - | - | - | - | - | - |
| 4096 x 2160/50p | 4096 x 2160 | 112.5 | 50.0 | 297.0 | ✓*4 | - | - | ✓*4 | - | - | - | - | - | - |
| | 4096 x 2160 | 112.5 | 50.0 | 594.0 | - | - | - | ✓ | - | - | - | - | - | - |

| Signal format | Resolution (Dots) | Scanning freq. | | | Plug and play compatible signal | | | | | | | | | |
|----------------|-------------------|----------------|--------|-----------------------|---------------------------------|---------------|-----------|---------------|---------------|-----------|---------|-------|-------|---|
| | | H (KHz) | V (Hz) | Dot clock freq. (MHz) | DIGITAL LINK | | | HDMI*1 | | | DVI-D*2 | | | |
| | | | | | EDID1: 4K/60p | EDID2: 4K/30p | EDID3: 2K | EDID1: 4K/60p | EDID2: 4K/30p | EDID3: 2K | EDID1 | EDID2 | EDID3 | |
| 640 x 400/70 | 640 x 400 | 31.5 | 70.1 | 25.2 | - | - | - | - | - | - | - | - | - | - |
| 640 x 400/85 | 640 x 400 | 37.9 | 85.1 | 31.5 | - | - | - | - | - | - | - | - | - | - |
| 640 x 480/60 | 640 x 480 | 31.5 | 59.9 | 25.2 | ✓ | ✓ | ✓ | ✓ | ✓ | ✓ | ✓ | ✓ | ✓ | ✓ |
| 640 x 480/67 | 640 x 480 | 35.0 | 66.7 | 30.2 | - | - | - | - | - | - | - | - | - | - |
| 640 x 480/73 | 640 x 480 | 37.9 | 72.8 | 31.5 | ✓ | ✓ | ✓ | ✓ | ✓ | ✓ | - | ✓ | ✓ | ✓ |
| 640 x 480/75 | 640 x 480 | 37.5 | 75.0 | 31.5 | ✓ | ✓ | ✓ | ✓ | ✓ | ✓ | - | ✓ | ✓ | ✓ |
| 640 x 480/85 | 640 x 480 | 43.3 | 85.0 | 36.0 | - | - | - | - | - | - | - | - | - | - |
| 800 x 600/56 | 800 x 600 | 35.2 | 56.3 | 36.0 | ✓ | ✓ | ✓ | ✓ | ✓ | ✓ | - | ✓ | ✓ | ✓ |
| 800 x 600/60 | 800 x 600 | 37.9 | 60.3 | 40.0 | ✓ | ✓ | ✓ | ✓ | ✓ | ✓ | - | ✓ | ✓ | ✓ |
| 800 x 600/72 | 800 x 600 | 48.1 | 72.2 | 50.0 | ✓ | ✓ | ✓ | ✓ | ✓ | ✓ | - | ✓ | ✓ | ✓ |
| 800 x 600/75 | 800 x 600 | 46.9 | 75.0 | 49.5 | ✓ | ✓ | ✓ | ✓ | ✓ | ✓ | - | ✓ | ✓ | ✓ |
| 800 x 600/85 | 800 x 600 | 53.7 | 85.1 | 56.3 | - | - | - | - | - | - | - | - | - | - |
| 832 x 624/75 | 832 x 624 | 49.7 | 74.6 | 57.3 | ✓ | ✓ | ✓ | ✓ | ✓ | ✓ | - | ✓ | ✓ | ✓ |
| 1024 x 768/50 | 1024 x 768 | 39.6 | 50.0 | 51.9 | - | - | - | - | - | - | - | - | - | - |
| 1024 x 768/60 | 1024 x 768 | 48.4 | 60.0 | 65.0 | ✓ | ✓ | ✓ | ✓ | ✓ | ✓ | - | ✓ | ✓ | ✓ |
| 1024 x 768/70 | 1024 x 768 | 56.5 | 70.1 | 75.0 | ✓ | ✓ | ✓ | ✓ | ✓ | ✓ | - | ✓ | ✓ | ✓ |
| 1024 x 768/75 | 1024 x 768 | 60.0 | 75.0 | 78.8 | ✓ | ✓ | ✓ | ✓ | ✓ | ✓ | - | ✓ | ✓ | ✓ |
| 1024 x 768/82 | 1024 x 768 | 65.5 | 81.6 | 86.0 | - | - | - | - | - | - | - | - | - | - |
| 1024 x 768/85 | 1024 x 768 | 68.7 | 85.0 | 94.5 | - | - | - | - | - | - | - | - | - | - |
| 1024 x 768/100 | 1024 x 768 | 81.4 | 100.0 | 113.3 | - | - | - | - | - | - | - | - | - | - |
| 1024 x 768/120 | 1024 x 768 | 98.7 | 120.0 | 139.1 | ✓ | ✓ | ✓ | ✓ | ✓ | ✓ | - | ✓ | ✓ | ✓ |
| 1152 x 864/60 | 1152 x 864 | 53.7 | 60.0 | 81.6 | - | - | - | - | - | - | - | - | - | - |
| 1152 x 864/70 | 1152 x 864 | 64.0 | 70.0 | 94.2 | - | - | - | - | - | - | - | - | - | - |
| 1152 x 864/75 | 1152 x 864 | 67.5 | 75.0 | 108.0 | - | - | - | - | - | - | - | - | - | - |
| 1152 x 864/85 | 1152 x 864 | 77.1 | 85.0 | 119.7 | - | - | - | - | - | - | - | - | - | - |
| 1152 x 870/75 | 1152 x 870 | 68.7 | 75.1 | 100.0 | ✓ | ✓ | ✓ | ✓ | ✓ | ✓ | - | ✓ | ✓ | ✓ |
| 1280 x 720/50 | 1280 x 720 | 37.1 | 49.8 | 60.5 | - | - | - | - | - | - | - | - | - | - |
| 1280 x 720/60 | 1280 x 720 | 44.8 | 59.9 | 74.5 | - | - | - | - | - | - | - | - | - | - |
| 1280 x 720/100 | 1280 x 720 | 76.3 | 100.0 | 131.8 | - | - | - | - | - | - | - | - | - | - |
| 1280 x 720/120 | 1280 x 720 | 92.6 | 120.0 | 161.6 | - | - | - | - | - | - | - | - | - | - |
| 1280 x 768/50 | 1280 x 768 | 39.6 | 49.9 | 65.3 | - | - | - | - | - | - | - | - | - | - |
| 1280 x 768/60 | 1280 x 768 | 47.8 | 59.9 | 79.5 | - | - | - | - | - | - | - | - | - | - |
| | 1280 x 768*5 | 47.4 | 60.0 | 68.3 | - | - | - | - | - | - | - | - | - | - |
| 1280 x 768/75 | 1280 x 768 | 60.3 | 74.9 | 102.3 | - | - | - | - | - | - | - | - | - | - |
| 1280 x 768/85 | 1280 x 768 | 68.6 | 84.8 | 117.5 | - | - | - | - | - | - | - | - | - | - |
| 1280 x 800/50 | 1280 x 800 | 41.3 | 50.0 | 68.0 | - | - | - | - | - | - | - | - | - | - |
| 1280 x 800/60 | 1280 x 800 | 49.7 | 59.8 | 83.5 | - | - | - | - | - | - | - | - | - | - |
| | 1280 x 800*5 | 49.3 | 59.9 | 71.0 | - | - | - | - | - | - | - | - | - | - |
| 1280 x 800/75 | 1280 x 800 | 62.8 | 74.9 | 106.5 | - | - | - | - | - | - | - | - | - | - |
| 1280 x 800/85 | 1280 x 800 | 71.6 | 84.9 | 122.5 | - | - | - | - | - | - | - | - | - | - |
| 1280 x 960/60 | 1280 x 960 | 60.0 | 60.0 | 108.0 | - | - | - | - | - | - | - | - | - | - |
| 1280 x 1024/50 | 1280 x 1024 | 52.4 | 50.0 | 88.0 | - | - | - | - | - | - | - | - | - | - |
| 1280 x 1024/60 | 1280 x 1024 | 64.0 | 60.0 | 108.0 | - | - | - | - | - | - | - | - | - | - |
| 1280 x 1024/66 | 1280 x 1024 | 72.3 | 66.3 | 125.0 | - | - | - | - | - | - | - | - | - | - |
| 1280 x 1024/72 | 1280 x 1024 | 78.2 | 72.0 | 135.1 | - | - | - | - | - | - | - | - | - | - |
| 1280 x 1024/75 | 1280 x 1024 | 80.0 | 75.0 | 135.0 | ✓ | ✓ | ✓ | ✓ | ✓ | ✓ | - | ✓ | ✓ | ✓ |
| 1280 x 1024/85 | 1280 x 1024 | 91.1 | 85.0 | 157.5 | - | - | - | - | - | - | - | - | - | - |
| 1366 x 768/50 | 1366 x 768 | 39.6 | 49.9 | 69.0 | - | - | - | - | - | - | - | - | - | - |
| 1366 x 768/60 | 1366 x 768 | 47.7 | 59.8 | 85.5 | - | - | - | - | - | - | - | - | - | - |

| Signal format | Resolution (Dots) | Scanning freq. | | Dot clock freq. (MHz) | Plug and play compatible signal | | | | | | | | |
|------------------|-------------------|----------------|--------|-----------------------|---------------------------------|---------------|-----------|---------------|---------------|-----------|---------|-------|-------|
| | | H (KHz) | V (Hz) | | DIGITAL LINK | | | HDMI*1 | | | DVI-D*2 | | |
| | | | | | EDID1: 4K/60p | EDID2: 4K/30p | EDID3: 2K | EDID1: 4K/60p | EDID2: 4K/30p | EDID3: 2K | EDID1 | EDID2 | EDID3 |
| 1400 x 1050/50 | 1400 x 1050 | 54.1 | 50.0 | 99.9 | - | - | - | - | - | - | - | - | - |
| | 1400 x 1050 | 64.0 | 60.0 | 108.0 | - | - | - | - | - | - | - | - | - |
| 1400 x 1050/60 | 1400 x 1050 | 65.3 | 60.0 | 121.8 | - | - | - | - | - | - | - | - | - |
| | 1400 x 1050 | 65.2 | 60.0 | 122.6 | ✓ | ✓ | ✓ | ✓ | ✓ | ✓ | - | ✓ | ✓ |
| 1400 x 1050/72 | 1400 x 1050 | 78.8 | 72.0 | 149.3 | - | - | - | - | - | - | - | - | - |
| 1400 x 1050/75 | 1400 x 1050 | 82.2 | 75.0 | 155.9 | - | - | - | - | - | - | - | - | - |
| 1440 x 900/50 | 1440 x 900 | 46.3 | 49.9 | 86.8 | - | - | - | - | - | - | - | - | - |
| 1440 x 900/60 | 1440 x 900 | 55.9 | 59.9 | 106.5 | - | - | - | - | - | - | - | - | - |
| 1600 x 900/50 | 1600 x 900 | 46.4 | 49.9 | 96.5 | - | - | - | - | - | - | - | - | - |
| 1600 x 900/60 | 1600 x 900 | 55.9 | 60.0 | 119.0 | ✓ | ✓ | ✓ | ✓ | ✓ | ✓ | - | ✓ | ✓ |
| 1600 x 1200/50 | 1600 x 1200 | 61.8 | 49.9 | 131.5 | - | - | - | - | - | - | - | - | - |
| 1600 x 1200/60 | 1600 x 1200 | 75.0 | 60.0 | 162.0 | ✓ | ✓ | ✓ | ✓ | ✓ | ✓ | - | ✓ | ✓ |
| 1680 x 1050/50 | 1680 x 1050 | 54.1 | 50.0 | 119.5 | - | - | - | - | - | - | - | - | - |
| 1680 x 1050/60 | 1680 x 1050 | 65.3 | 60.0 | 146.3 | - | - | - | - | - | - | - | - | - |
| 1920 x 1080/50 | 1920 x 1080 | 55.6 | 49.9 | 141.5 | - | - | - | - | - | - | - | - | - |
| 1920 x 1080/60 | 1920 x 1080*5 | 66.6 | 59.9 | 138.5 | - | - | - | - | - | - | - | - | - |
| | 1920 x 1080 | 67.2 | 60.0 | 173.0 | - | - | - | - | - | - | - | - | - |
| 1920 x 1200/50 | 1920 x 1200 | 61.8 | 49.9 | 158.3 | - | - | - | - | - | - | - | - | - |
| 1920 x 1200/60 | 1920 x 1200 | 74.6 | 59.9 | 193.3 | - | - | - | - | - | - | - | - | - |
| 1920 x 1200/60RB | 1920 x 1200*5 | 74.0 | 60.0 | 154.0 | ✓ | ✓ | ✓ | ✓ | ✓ | ✓ | - | ✓ | ✓ |
| 2560 x 1600/50 | 2560 x 1600 | 82.4 | 50.0 | 286.0 | - | - | - | - | - | - | - | - | - |
| 2560 x 1600/60 | 2560 x 1600*5 | 98.7 | 60.0 | 268.5 | ✓ | ✓ | - | ✓ | ✓ | - | - | - | - |

*1 This is supported when the optional Interface Board for HDMI 2 input (Model No.: ET-MDNHM10) is installed in the slot.

*2 This is supported when the optional Interface Board for DVI-D 2 input (Model No.: ET-MDNDV10) is installed in the slot.

*3 Pixel-Repetition signal (dot clock frequency 27.0 MHz) only

*4 YPBPR 4:2:0 format only

*5 VESA CVT-RB (Reduced Blanking)-compliant

List of simultaneous input compatible signals

The following table specifies the simultaneous input compatible video signals that the projector can project.

| Signal format | Resolution (Dots) | Scanning freq. | | Dot clock freq. (MHz) | Simultaneous input compatible signal | | | | | |
|------------------|-------------------|----------------|--------|-----------------------|--------------------------------------|-----------------|--------------|-----------------|--------------|-----------------|
| | | H (KHz) | V (Hz) | | SDI*1 | | HDMI*2 | | DVI-D*3 | |
| | | | | | Double speed | Quadruple speed | Double speed | Quadruple speed | Double speed | Quadruple speed |
| 1080/60p | 1920 x 1080 | 67.5 | 60.0 | 148.5 | ✓ | ✓ | ✓ | ✓ | ✓ | ✓ |
| 1080/50p | 1920 x 1080 | 56.3 | 50.0 | 148.5 | ✓ | ✓ | ✓ | ✓ | ✓ | ✓ |
| 1366 x 768/50 | 1366 x 768 | 39.6 | 49.9 | 69.0 | - | - | ✓ | - | ✓ | - |
| 1366 x 768/60 | 1366 x 768 | 47.7 | 59.8 | 85.5 | - | - | ✓ | - | ✓ | - |
| 1400 x 1050/50 | 1400 x 1050 | 54.1 | 50.0 | 99.9 | - | - | ✓ | - | ✓ | - |
| 1400 x 1050/60 | 1400 x 1050 | 65.3 | 60.0 | 121.8 | - | - | ✓ | - | ✓ | - |
| 1920 x 1080/50 | 1920 x 1080 | 55.6 | 49.9 | 141.5 | - | - | ✓ | - | ✓ | - |
| 1920 x 1080/60 | 1920 x 1080*4 | 66.6 | 59.9 | 138.5 | - | - | ✓ | - | ✓ | - |
| 1920 x 1200/50 | 1920 x 1200 | 61.8 | 49.9 | 158.3 | - | - | ✓ | - | ✓ | - |
| 1920 x 1200/60RB | 1920 x 1200*4 | 74.0 | 60.0 | 154.0 | - | - | ✓ | - | ✓ | - |

*1 In addition to the standard SDI input, this supports the input from the optional 3G-SDI Terminal Board with Audio (Model No.: TY-TBN03G) installed in the slot.

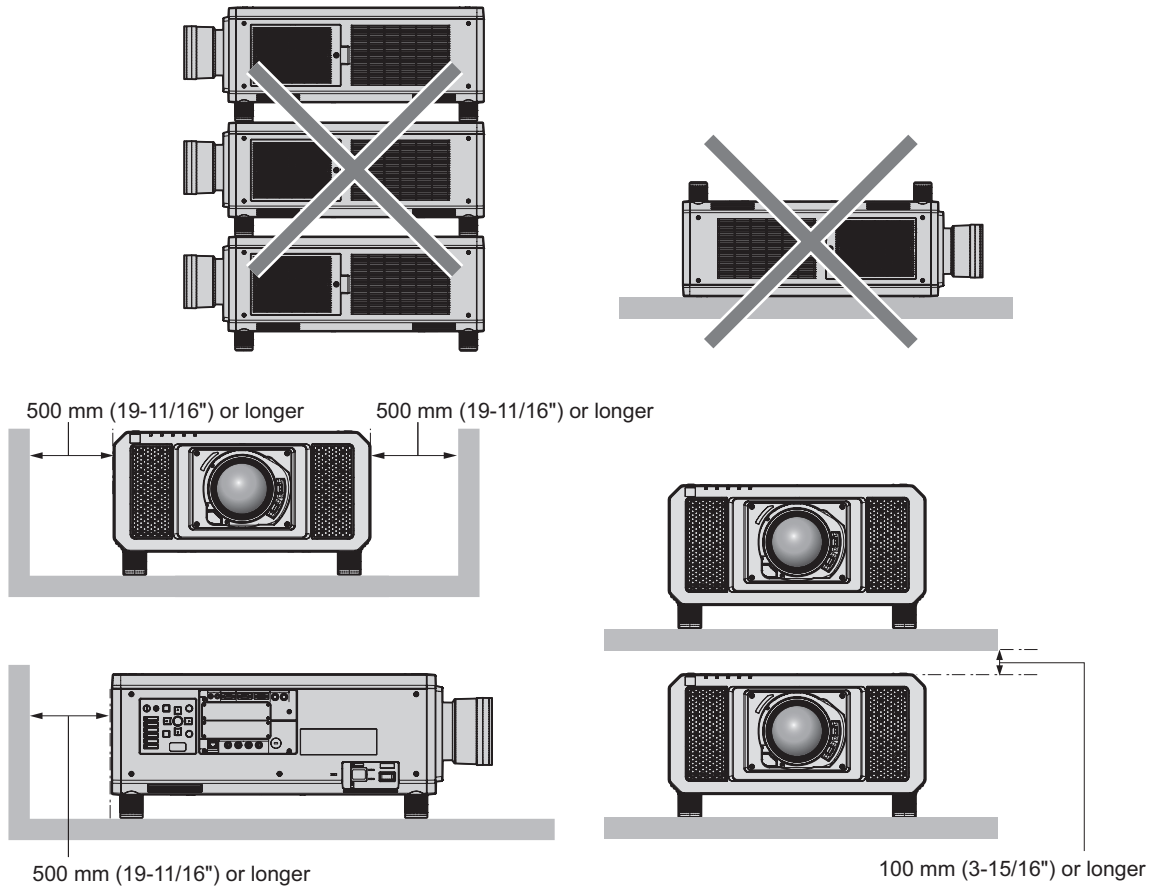
*2 This is supported when the optional Interface Board for HDMI 2 input (Model No.: ET-MDNHM10) is installed in the slot.

*3 This is supported when the optional Interface Board for DVI-D 2 input (Model No.: ET-MDNDV10) is installed in the slot.

*4 VESA CVT-RB (Reduced Blanking)-compliant

Notes on projector placement and operation

- Prevent hot and cool air from the air conditioning system to blow directly to the ventilation ports (intake and exhaust) of the projector.



- Do not install the projector in a confined space. When installing the projector in a confined space, provide air conditioning or ventilation separately. Exhaust heat may accumulate when the ventilation is not enough, triggering the protection circuit of the projector.