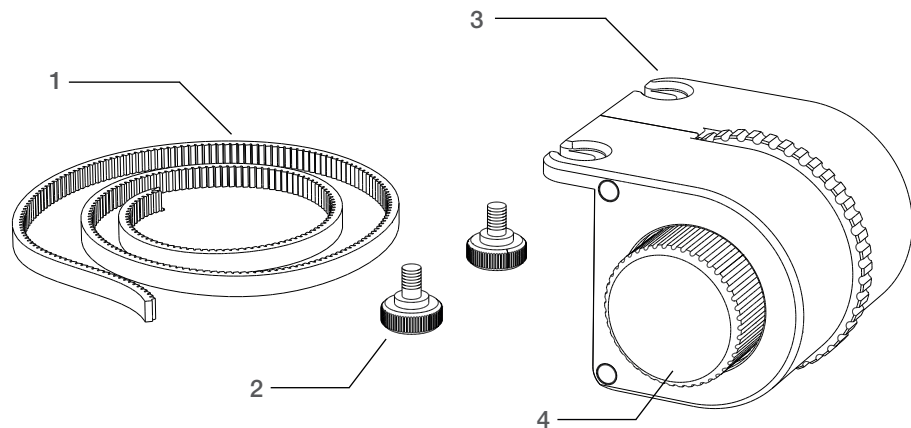


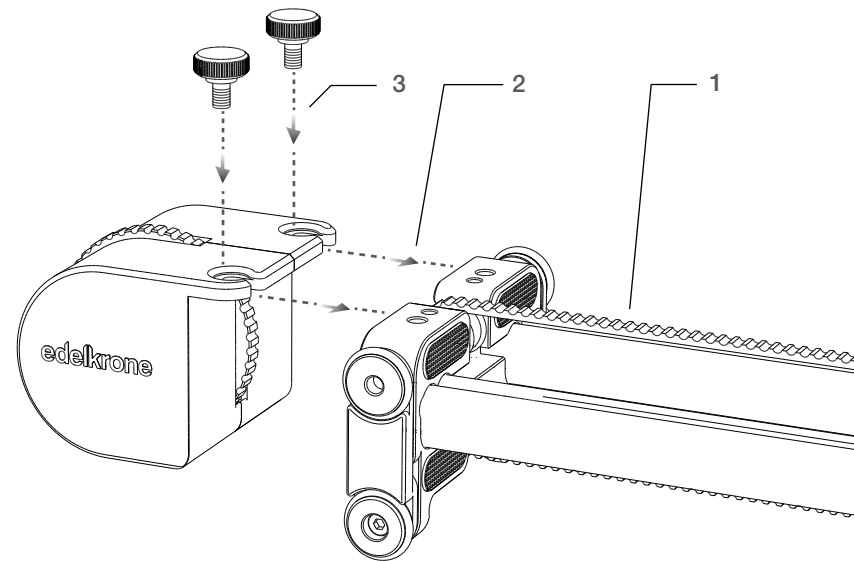
## 1. WHAT'S IN THE BOX & THE BASICS



1. Motion control belt for SliderPLUS & SliderPLUS PRO
2. Connection screws for Steady Module

3. Steady Module
4. Tension adjustment

## 2. ATTACHING STEADY MODULE



1. Use motion control belt with Steady Module.
2. Attach Steady Module to SliderPLUS.
3. Place the connection screws and tighten.



A detailed video explaining how to attach Steady Module can be found at:  
<http://edel.kr/stdm>

# STEADY MODULE<sup>®</sup>

## USER'S MANUAL

Before operating your edelkrone,  
please watch the user's manual video.

<http://edel.kr/stdm>

