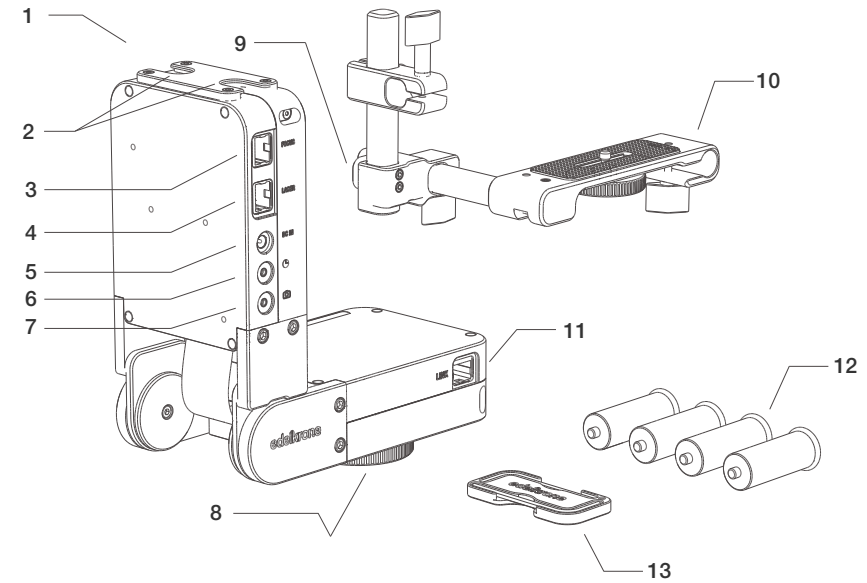


TABLE OF CONTENTS

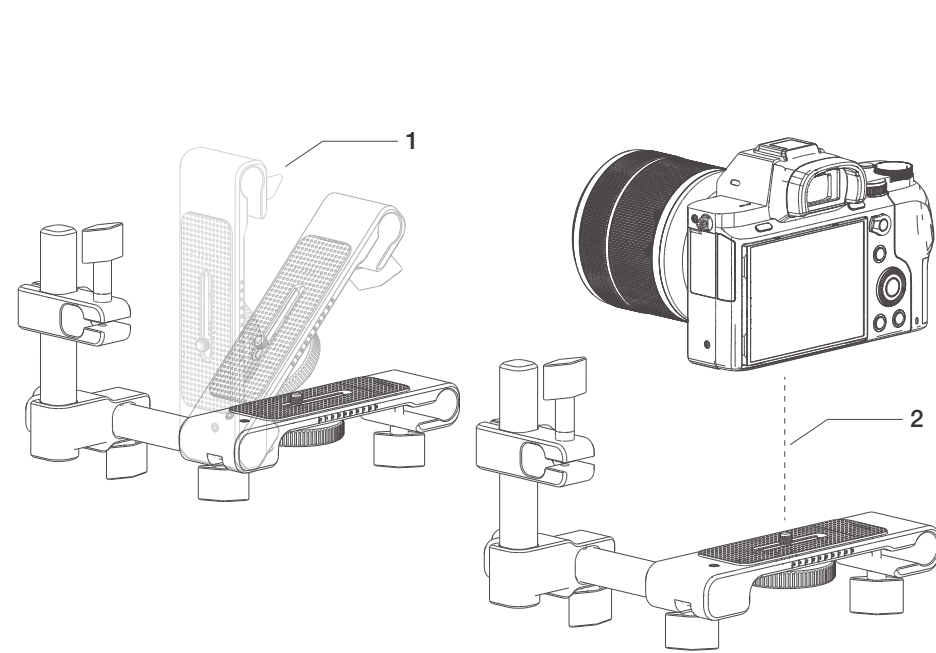
1. WHAT'S IN THE BOX & THE BASICS
2. ATTACHING L-BRACKET TO CAMERA
3. FINDING THE CENTER OF GRAVITY
4. MOUNTING THE HEADPLUS
5. MOUNTING A BATTERY BRACKET ON HEADPLUS
6. MANUAL TENSION ADJUSTMENT FOR PAN/TILT
7. START USING

1. WHAT'S IN THE BOX & THE BASICS



- | | |
|---------------------------------|-------------------------------------------|
| 1. HeadPLUS | 8. 3/8"-16 mounting port |
| 2. Cold shoe ports | 9. Balance piece |
| 3. Focus Module connection port | 10. L-Bracket with 1/4"-20 mounting screw |
| 4. Laser Module connection port | 11. Link connection port |
| 5. DC in socket | 12. Width extenders for SliderPLUS |
| 6. LANC connection port | 13. 2.5 mm & 3 mm allen keys |
| 7. Shutter trigger port | |

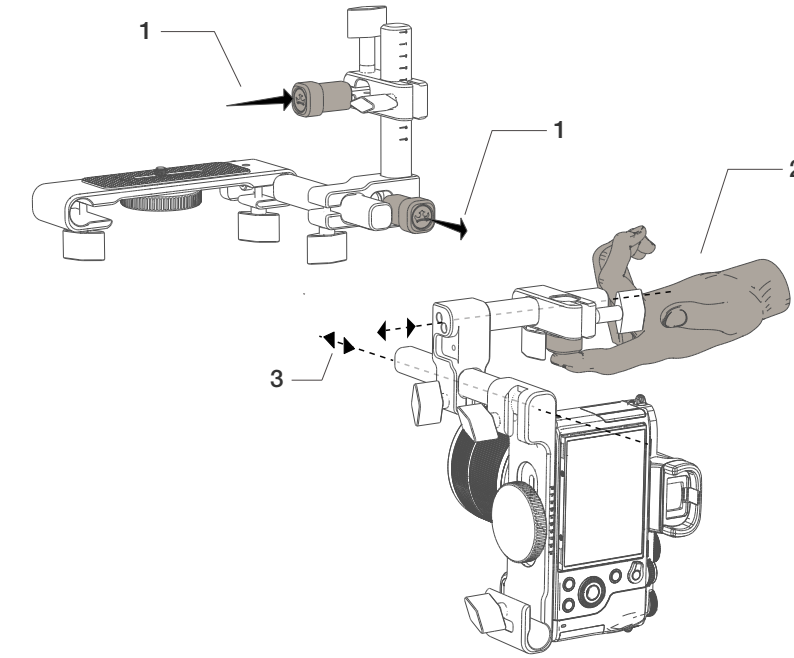
2. ATTACHING L-BRACKET TO CAMERA



1. Unfold L-Bracket as indicated above.
2. Attach your camera to L-Bracket by turning the mounting wheel on it.

▶ A detailed video explaining the mounting process details can be found at: <http://edel.kr/hp>

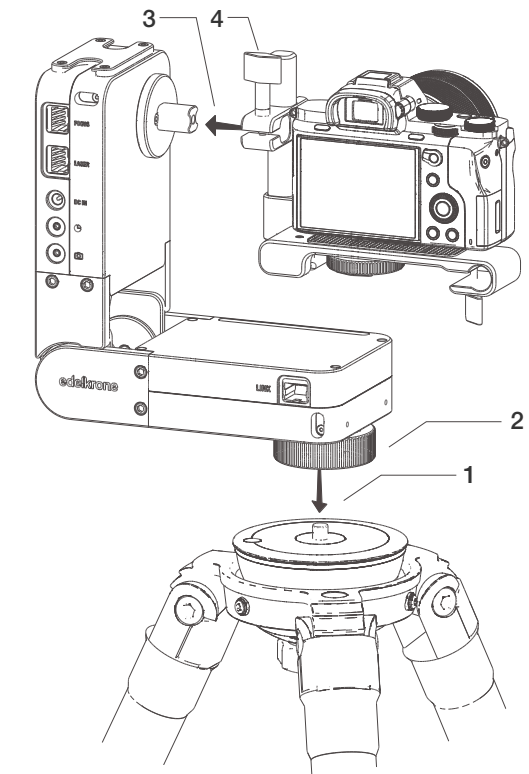
3. FINDING CENTER OF GRAVITY



1. Remove the balance piece and place it as indicated above.
2. Hold your setup from the balance piece with your index finger as shown above.
3. Slide the rods on related dashed axes' lines and find the best position where your camera is balanced on your finger. This position gives the center of gravity of your camera for Pan & Tilt axes.

▶ A detailed video explaining how to find center of gravity details can be found at: <http://edel.kr/hp>

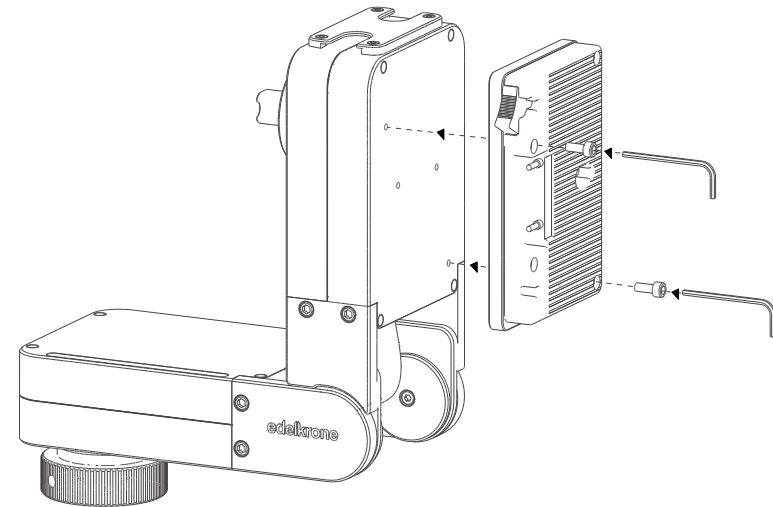
4. MOUNTING HEADPLUS




1. Align HeadPLUS with any 3/8"-16 mounting screw.
2. Tighten it using the mounting wheel.
3. Attach the L-Bracket to HeadPLUS.
4. Tighten the screw to lock.
5. Attach the width extenders to SliderPLUS if you are using HeadPLUS with SliderPLUS.

▶ A detailed video explaining the mounting details can be found at: <http://edel.kr/hp>

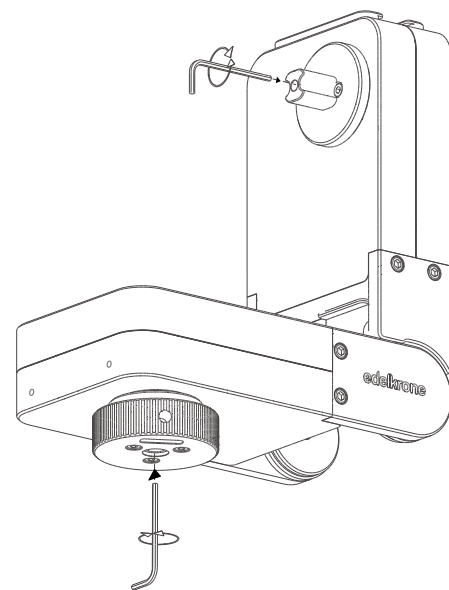
5. MOUNTING A BATTERY BRACKET ON HEADPLUS



Depending on your choice of battery type, you need to mount the related battery bracket with 2 screws to HeadPLUS. Battery brackets are sold separately.

 A detailed video explaining how to mount the battery bracket details can be found at: <http://edel.kr/hp>

6. MANUAL TENSION ADJUSTMENT FOR PAN/TILT



Use the 3 mm allen key to adjust the manual adjustment tension of HeadPLUS Pan/Tilt. If you are not able to move Pan&Tilt axes manually, try loosening the tension. Make as little adjustments as possible.

 A detailed video explaining details of HeadPLUS can be found at: <http://edel.kr/hp>

7. START USING



1. Download the edelkrone App to your mobile device from the App Store or Google Play. Links can be found at www.edelkrone.com/headplus
2. There are no on/off buttons on your HeadPLUS. Attach the battery to the HeadPLUS to switch on.
3. edelkrone App will automatically pair with your HeadPLUS via Bluetooth.
4. HeadPLUS will turn on with a beep sound.
5. You are now ready to use your HeadPLUS. Just keep following the instructions on your mobile device or visit manuals.edelkrone.com for a detailed video instruction.

 Always start using with a fully charged batteries.

 Make sure your mobile device's Bluetooth connection is on.


 A detailed video explaining the edelkrone App can be found at: <http://edel.kr/hp>

DISPOSAL OF THE PRODUCT & WARNINGS



Should the product become damaged beyond repair, or if you wish to dispose of it, it must be disposed separately from the municipal waste stream via designated collection facilities appointed by the government or the local authorities. Observe the regulations of your area and country that relate to the disposal of electronic products.

- * Keep your electronic Motion Control Unit away from all sorts of liquids.
- * In order to preserve your Motion Control Unit and battery performance at their best, use the exact same type of batteries with an equivalent level of charge during dual-battery operation.
- * Do not attempt to disassemble or modify any internal parts of your Motion Control Unit. If the device appears to be malfunctioning, discontinue use immediately and contact support for qualified service.
- * Never force a different type of connector into a port.
- * Never use or store your Motion Control Unit in areas subject to extreme temperatures, or high levels of vibration.
- * If your motion control unit becomes unresponsive, disconnect and re-connect the power source. Make sure your DC adapter is plugged in or your batteries are properly charged. If the problem persists, contact our support team.
- * Environmental factors may affect your Motion Control Unit's performance. Keep your product away from environmental hazards such as dust or heavy resonance. Do not use chemical materials to clean your product.
- * If there is an impairment on the power or connector cable, stop using the Motion Control Unit immediately.
- * Avoid dropping or causing physical damage to your Motion Control Unit.
- * Do not place heavy objects on top of your Motion Control Unit.
- **edelkrone cannot be held responsible for damage caused by improper use or modification of the product.

 For more information and tips about your HeadPLUS, please watch the user's manual videos at: <http://edel.kr/hp>

edelkrone

www.edelkrone.com

HEADPLUS

USER'S MANUAL

Before operating your edelkrone, please watch the user's manual video.

<http://edel.kr/hp>



edelkrone
filmmaking solutions