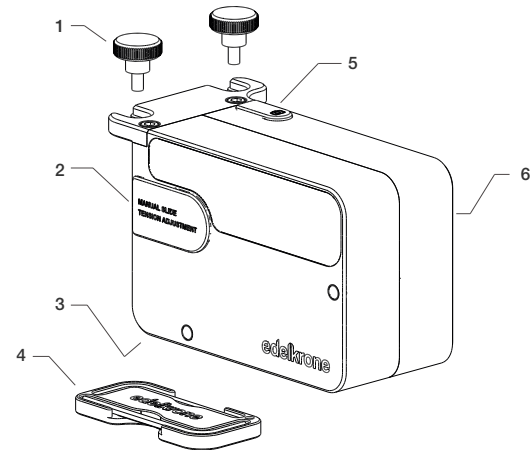


## TABLE OF CONTENTS

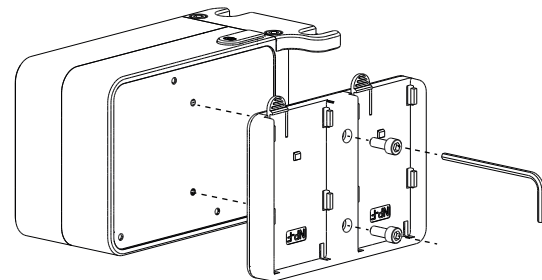
1. WHAT'S IN THE BOX & THE BASICS
2. ATTACHING BATTERY BRACKET
3. ATTACHING CABLE HOLDER FOR AC/DC ADAPTER
4. MOUNTING YOUR SLIDE MODULE TO YOUR SLIDERPLUS
5. ADJUSTING TENSION
6. HOT SWAPPING
7. START USING

## 1. WHAT'S IN THE BOX & THE BASICS



1. Connection screws for Slide Module
2. Manual slide tension adjustment port
3. DC IN socket & Cable Holder Port
4. Allen keys
5. Shutter trigger cable port
6. Battery bracket ports

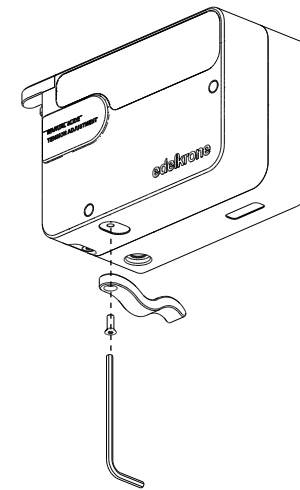
## 2. ATTACHING BATTERY BRACKET



Depending on your choice of battery, you need to mount the related battery bracket with 2 screws to Slide Module 2. Battery brackets are sold separately.

A detailed video explaining how to attach the battery bracket can be found at: <http://edel.kr/sm2>

## 3. ATTACHING CABLE HOLDER FOR AC/DC ADAPTER



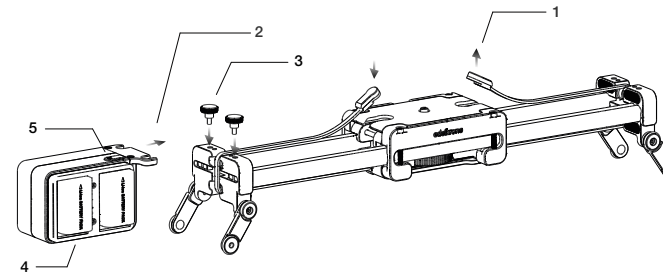
If you're going to use your Slide Module with an AC/DC adapter, we recommend that you use cable holder to prevent cable drops.

Use the screw and allen wrench as shown to attach cable holder.

Connecting cables to incorrect ports may cause serious damage to the modules.

A detailed video explaining how to attach cable holder can be found at: <http://edel.kr/sm2>

## 4. MOUNTING YOUR SLIDE MODULE TO YOUR SLIDERPLUS

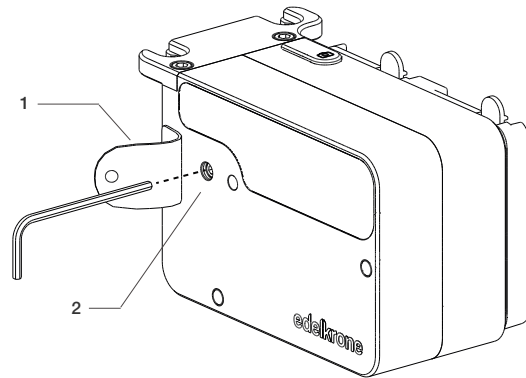


1. Detach manual slide control belt and attach the motion control belt.
2. Attach Slide Module to SliderPLUS.
3. Place the connection screws and tighten them.
4. Connect the batteries or power adapter to the DC IN socket.
5. Connect shutter trigger cable to the shutter trigger cable port (Ⓜ) when you intend to shoot time-lapse and stop motion.

Connecting cables to incorrect ports may cause serious damage to the modules.


A detailed video explaining how to attach belt and mounting details can be found at: <http://edel.kr/sm2>

## 5. ADJUSTING TENSION



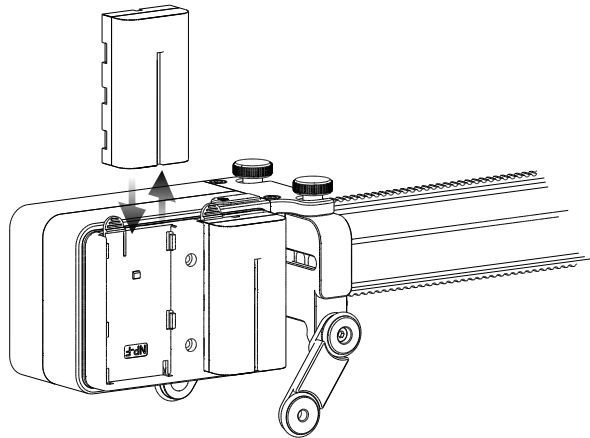
1. Open Manual slide tension adjustment cover to reach the screw.
2. Use 2.5mm allen key to adjust the tension.

! If you are not able to slide manually, try loosening the tension. Make as small adjustments as possible.

 A detailed video explaining how to adjust the tension of this mechanism can be found at: <http://edel.kr/sm2>

## 6. HOT SWAPPING


While your Slide Module 2 is in use, you may switch batteries without losing connection or experiencing an interruption.




## 7. START USING



1. Download the edelkrone App to your mobile device from the App Store or Google Play. Links can be found at [www.edelkrone.com/slide-module](http://www.edelkrone.com/slide-module)
2. There are no on/off buttons on your Slide Module 2. Attach the battery to the Slide Module to switch on.
3. edelkrone App will automatically pair with your Slide Module 2 through Bluetooth/Wifi.
4. Slide Module 2 will turn on with a beep sound.
5. You are now ready to use your Slide Module 2 for SliderPLUS. Just keep following the instructions on your mobile device or visit [manuals.edelkrone.com](http://manuals.edelkrone.com) for a detailed video instruction.

 Always start using with fully charged batteries.

 Make sure your mobile device's Bluetooth connection is on.


 A detailed video explaining the edelkrone App can be found at: <http://edel.kr/sm2>

## DISPOSAL OF THE PRODUCT & WARNINGS



Should the product become damaged beyond repair, or if you wish to dispose of it, it must be disposed separately from the municipal waste stream via designated collection facilities appointed by the government or the local authorities. Observe the regulations of your area and country that relate to the disposal of electronic products.

- \* Keep your electronic Motion Control Unit away from all sorts of liquids.
  - \* In order to preserve your Motion Control Unit and battery performance at their best, use the exact same type of batteries with an equivalent level of charge during dual-battery operation.
  - \* Do not attempt to disassemble or modify any internal parts of your Motion Control Unit. If the device appears to be malfunctioning, discontinue use immediately and contact support for qualified service.
  - \* Never force a different type of connector into a port.
  - \* Never use or store your Motion Control Unit in areas subject to extreme temperatures, or high levels of vibration.
  - \* If your motion control unit becomes unresponsive, disconnect and re-connect the power source. Make sure your DC adapter is plugged in or your batteries are properly charged. If the problem persists, contact our support team.
  - \* Environmental factors may affect your Motion Control Unit's performance. Keep your product away from environmental hazards such as dust or heavy resonance. Do not use chemical materials to clean your product.
  - \* Only use included battery plate, DC adapter or equivalent power sources. Use of an inappropriate power source may permanently damage your Motion Control Unit.
  - \* If there is an impairment on the power or connector cable, stop using the Motion Control Unit immediately.
  - \* Avoid dropping or causing physical damage to your Motion Control Unit.
  - \* Do not place heavy objects on top of your Motion Control Unit.
- \*\*edelkrone cannot be held responsible for damage caused by improper use or modification of the product.

 For more information and tips about your Slide Module, please watch the user's manual videos at: <http://edel.kr/sm2>

## SLIDE MODULE 2 USER'S MANUAL

Before operating your edelkrone, please watch the user's manual video from the link below

<http://edel.kr/sm2>

