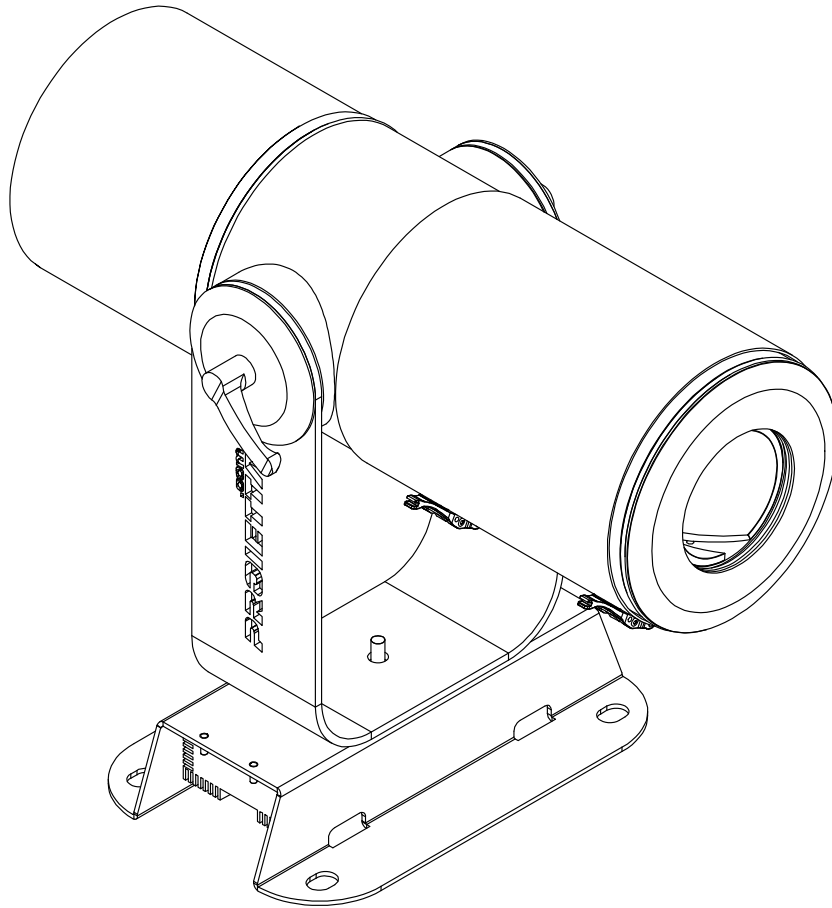


PROIETTA.COM



INSTRUCTION MANUAL

PALLADIO 300

WARNING:

Read this instruction manual carefully before using the projector



Thank you for choosing a PROIETTA product

INDEX

1) SAFETY INFORMATION	1
2) TECHNICAL SPECIFICATIONS	2
3) USE OF THE PROJECTOR	3
4) CARE AND MAINTENANCE	5
5) CAUSE AND SOLUTIONS OF POSSIBLE PROBLEMS	5
6) WARRANTY	6
7) DECLARATION OF CONFORMITY	7
8) DISPOSAL OF UNUSED PRODUCT	7

SAFETY INFORMATION



Read the following safety information carefully before performing any operations. The product described in this manual is a lighting fixture for the projection of a light beam in indoor and outdoor environments.

Any other use is not provided by the manufacturer and therefore relieves him of any liability for damages arising from misuse.

Any repair that requires the dismantling of the projector assembly screws should only be carried out by the manufacturer, who denies any responsibility for unauthorized interventions.

Warning: The surface temperature of some projector components can reach high enough values to burn when touched directly, during and after shutdown.

Always disconnect the projector from the outlet before any maintenance operation. You risk taking the electric shock if you disassemble the projector or some of its parts.

For reliable operation of the device, the ambient temperature must be between -25°C (-13°F) and 45°C (113°F).

The projector must be positioned in such a way that the objects affected by the light beam are at least 1 meter away from the projector lens.

Never place the projector on flammable and/or combustible surfaces.

Be sure to firmly secure the projector to an architectural element that ensures its stability and reliability. All elements used for installation (screws, bolts, brackets, etc.) must always be adjusted to the load they need to support.

Use an M12 bolt with a self-locking nut and use a security chain in the event of a suspended installation.

Do not place objects on the power cable and in case if it was damaged contact the manufacturer for replacement in order to avoid danger of electrocution.

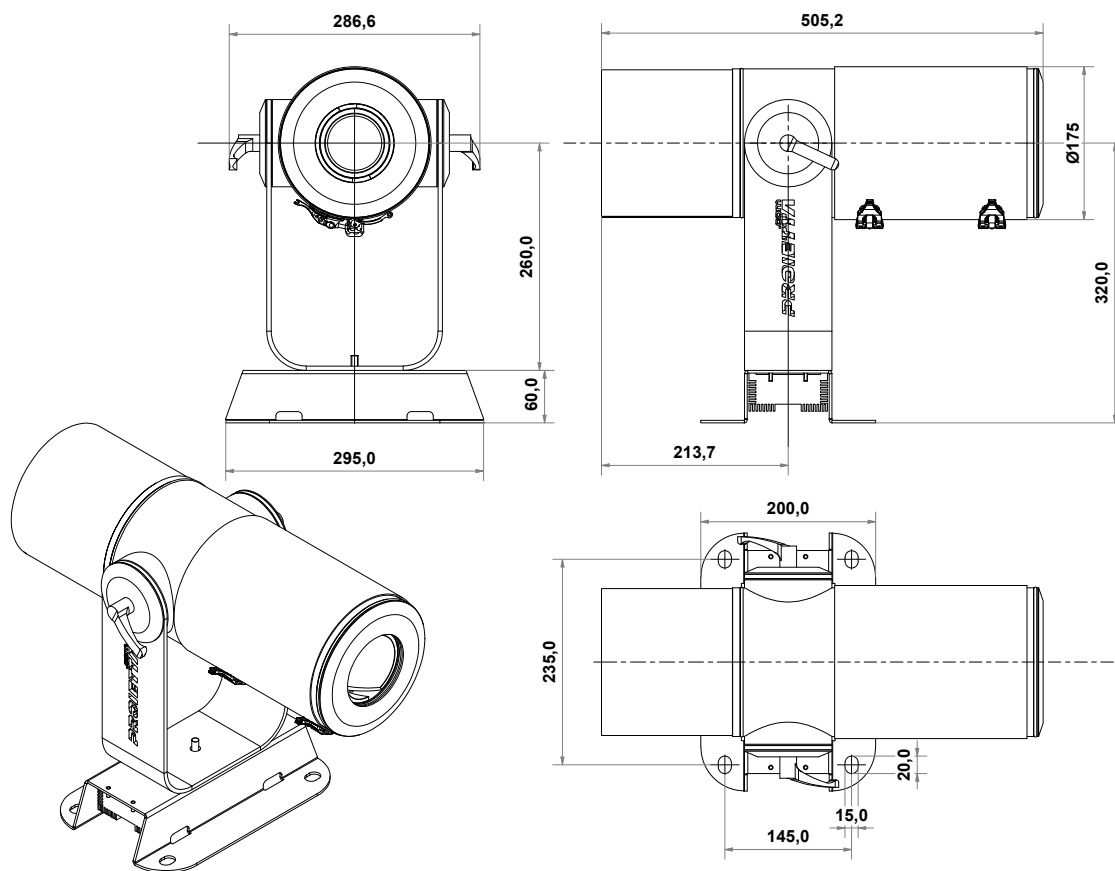
Air intakes should never be covered or clogged with any material. Be sure to provide adequate ventilation to the projector to protect it from overheating. The projector should not be placed in a closed installation or in a compartment that is too small and without enough ventilation.

Do not look at the beam of light to avoid damaging your eyes.

Never touch the projector and all its components with wet hands.

TECHNICAL SPECIFICATIONS

MODEL	PALLADIO 300
POWER SUPPLY	
SUPPLY VOLTAGE	220/240 V
ELECTRICAL FREQUENCY	50/60 Hz
LED	
NOMINAL POWER	300 W
PROJECTOR'S BRIGHTNESS	25.000 lm
COLOR TEMPERATURE	6.000 K
LIFETIME	20.000h - 50.000h (depending on brightness regulation)
IP (Protection rating)	65
WEIGHT	13 kg
DIMENSIONS	See the drawings below (dimensions in mm)



USE OF THE PROJECTOR

1) CONNECTING TO THE POWER GRID

Connect the device to the electrical grid following normal safety procedures that are valid for any device operating in low voltage.

The supply voltage must be: 220-240 V, 50-60 Hz and the supply line must be protected by an efficient grounding link and is equipped with a bipolar switch with differential thermal 0.03 A safety.

2) POSITIONING OF THE PROJECTOR

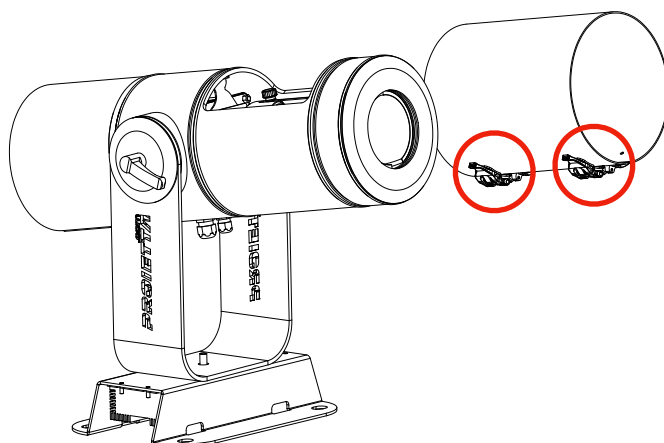
The installation must be carried out by arranging the space in which the device is to be used in order to be clear from any obstacle. You can tilt the projector at the desired angle using the side handles.

For special needs, the device can be fixed with an anchor suitable for the material of the surface on which it needs to be locked. It is necessary to ensure that all the parts identified for fixing the projector are in a suitable condition to support the projector. Finally, make sure that the projector has been fixed permanently to the surface.

3) IGNITION OF THE PROJECTOR

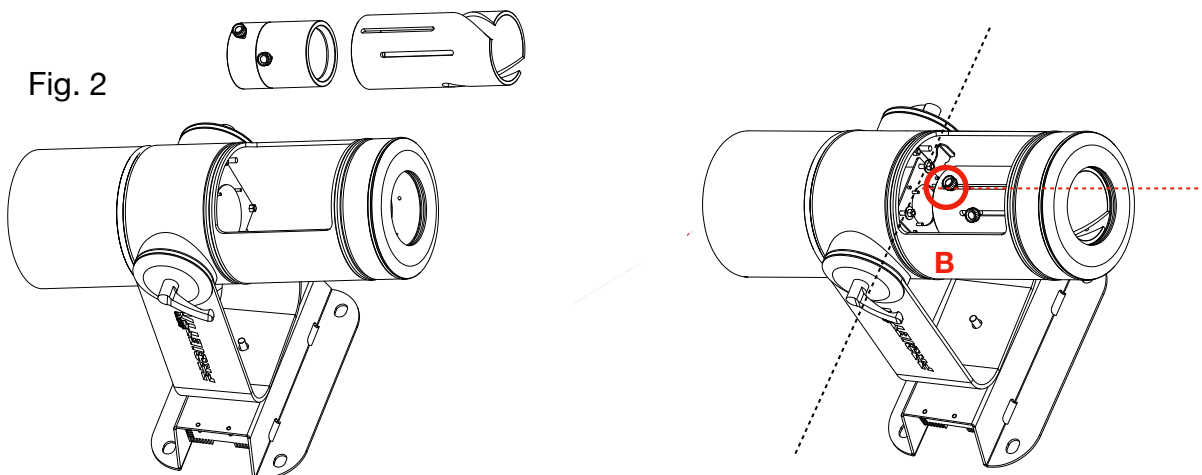
- Open the lid with the appropriate hooks placed sideways on the projector, see Fig. 1.

Fig. 1



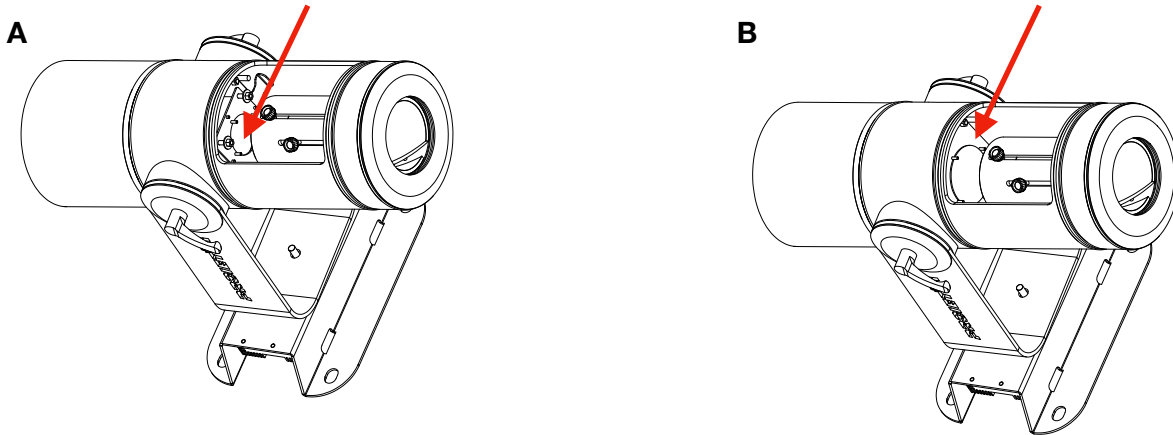
- Insert the chosen lens into the projector by making sure that knob B is centered relative to the sagittal axis of the projector, see Fig. 2

Fig. 2



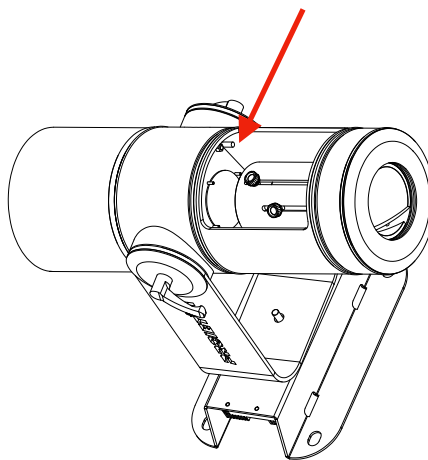
- Place the image (gobo) centrally following the guides, see Fig. 3.
Please Note:
 - if you need to shape the image you should use shaper with gobo diam. $\varnothing = 50$ mm **A**
 - if you don't need to shape the image you can install gobo diam. $\varnothing = 70$ mm directly on the lens holder **B**

Fig. 3



- Turn on the projector by rotating the brightness regulator, see Fig. 4

Fig. 4



- Direct the projector to the surface on which you want to make the projection making sure that it is at least 1 meter away from the projector's lens.

CARE AND MAINTENANCE

Before you start any maintenance or cleaning operation on the projector remove the voltage from the power grid.

Check that the air intake openings are clean and the vents are working. Depending on the operating environment, the projector will need regular cleaning.

The product should never be washed, but should be cleaned on the outside only with a moist cloth. It is important to periodically check the seals to ensure maximum water sealing performance.

Any repair that requires the dismantling of the projector assembly screws should only be carried out by the manufacturer.

Replacing defective parts with non-genuine parts may render null and void the warranty.

CAUSE AND SOLUTIONS OF POSSIBLE PROBLEMS

- **The projector does not turn on**

Check that the power grid is present.

- **Reduced brightness**

can be caused by the end of the life-cycle of LED or the presence of dirt in the optical elements. Perform an accurate cleanup of the optical elements, if the problem persists contact PROIETTA customer service.

- **When the projector is connected to the electrical grid the magnetothermal switch interrupt the current flow**

The line magnetothermal is undersized compared to the characteristics of the projector. It is necessary to bypass or replace the line magnetothermal.

- **Faulty projection**

The gobo can be broken or dirt has been deposited on the surface of the gobo. Clean up the gobo with an antistatic cloth and if the problem persists contact PROIETTA customer service.

TIPS: For best results from projections, project images onto dimly lit or dark surfaces, avoiding reflective surfaces (e.g. mirrors).

When possible, always prefer light-colored surfaces.

WARRANTY

The product is covered by warranty under the terms of the law (24 months). In case of malfunction during the warranty period, the product will be repaired or replaced at the discretion of the manufacturer.

The following informations are required for the use of the warranty:

- Purchase date (the invoice date is valid)
- Detailed description of the issue.

It is essential to follow the safety instructions and warnings contained in this manual.

Any damage caused by non-compliance with the manual causes the warranty to expire.

The manufacturer does not take any responsibility for damages or problems caused by non-compliance with the manual.

Any repair that requires the dismantling of the projector assembly screws should only be carried out by the manufacturer, who denies any responsibility for unauthorized interventions. The dismantling (even partial) of the projector not carried out by the manufacturer causes the warranty to expire.

The parts of consumption are not covered by the guarantee.

DECLARATION OF CONFORMITY

The product to which this manual refers is in accordance with the Directives of the European Community. The examination is made clear by the application of the CE mark on the product and the declaration of compliance.

The device meets the requirements of the 2002/95/CE (RoHS) Directive; the General Safety Information Regulations: EN60598-1, EN60598-2-17 and the European Parliament's Directive 2004/108/EC on Electromagnetic Compatibility.



DISPOSAL OF UNUSED PRODUCT

The device must be disposed of in accordance with the applicable laws relating to lighting products. In any case, it should not be thrown between normal waste or dispersed in the environment, the latter action, although legally pursued, is a serious danger to animals and people and a source of long-term pollution. The product cannot be treated as a simple urban waste and must be disposed of appropriately in accordance with existing waste disposal regulations.



Avigliana, 22/09/2021

A handwritten signature in black ink, appearing to read 'Proietta'.

PROIETTA srl

Viale Dei Mareschi 4/d - 10051 - Avigliana - TO (Italy) - VAT number: IT09964950019
tel. +39 011 9761039, info@proietta.com, www.proietta.com