

EASYDRAPE

INSTALLATION MANUAL



TABLE OF CONTENTS

Introduction	04
Safety Instructions	05
Components	06
Installation	07
(1) Attach base plate connectors	07
(2) Fix the Telescoping Uprights onto the plates	08
(3) Attach the four way adaptor piece to the Telescoping Uprights	08
(4) Attach the horizontal drape support	09
(5) Extend the EasyDrape assembly horizontally	10
(6) Hang the curtains	11
(7) Extend the EasyDrape assembly vertically	13
Maintenance Instructions	13
Trouble shooting	14

INTRODUCTION

EasyDrape is more than a pipe and drape system.

This user friendly equipment goes where no pipe & drape has gone before.

Curtain walls that reach for the stars. Temporary tunnel walkways in every shape and size.

A trade show display dream!

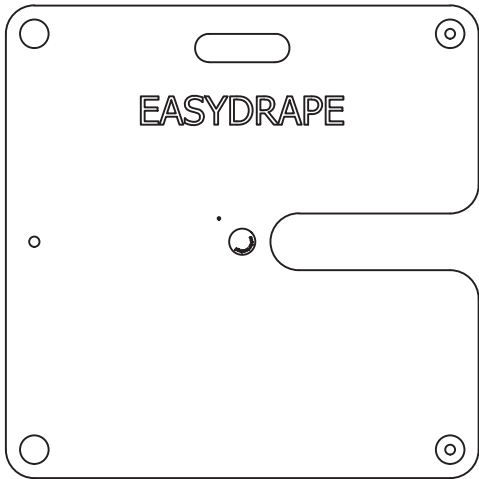
- Combine with ShowPipe track system for curtain motion.
- Connect to a curved pipe to create free standing tunnels.
- Use EasyDrape instead of a truss to save time and space.
- Hang expo drapes and starcloths from 2-5 meters high.
- One standard EasyDrape kit fits easily in a flight case.
- Quick telescopic height adjustment.
- Fast and reliable construction thanks to the conical couplers.
- Accessories for use with EasyDrape system only.

SAFETY INSTRUCTIONS

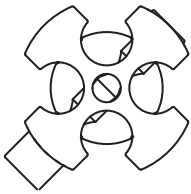
- Read this user manual carefully. In order to prevent potential damage to equipment and/or injury to personnel these instructions must be understood and followed.
- Only combine with parts and accessories from the ShowTex curtain track range.
- EasyDrape couplers are not fit for trussing.

COMPONENTS

Create unlimited EasyDrape configurations using these different parts.



2X



2X



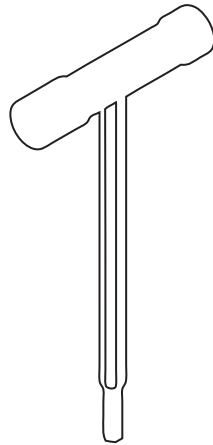
2X



4X



4X



1X



1X



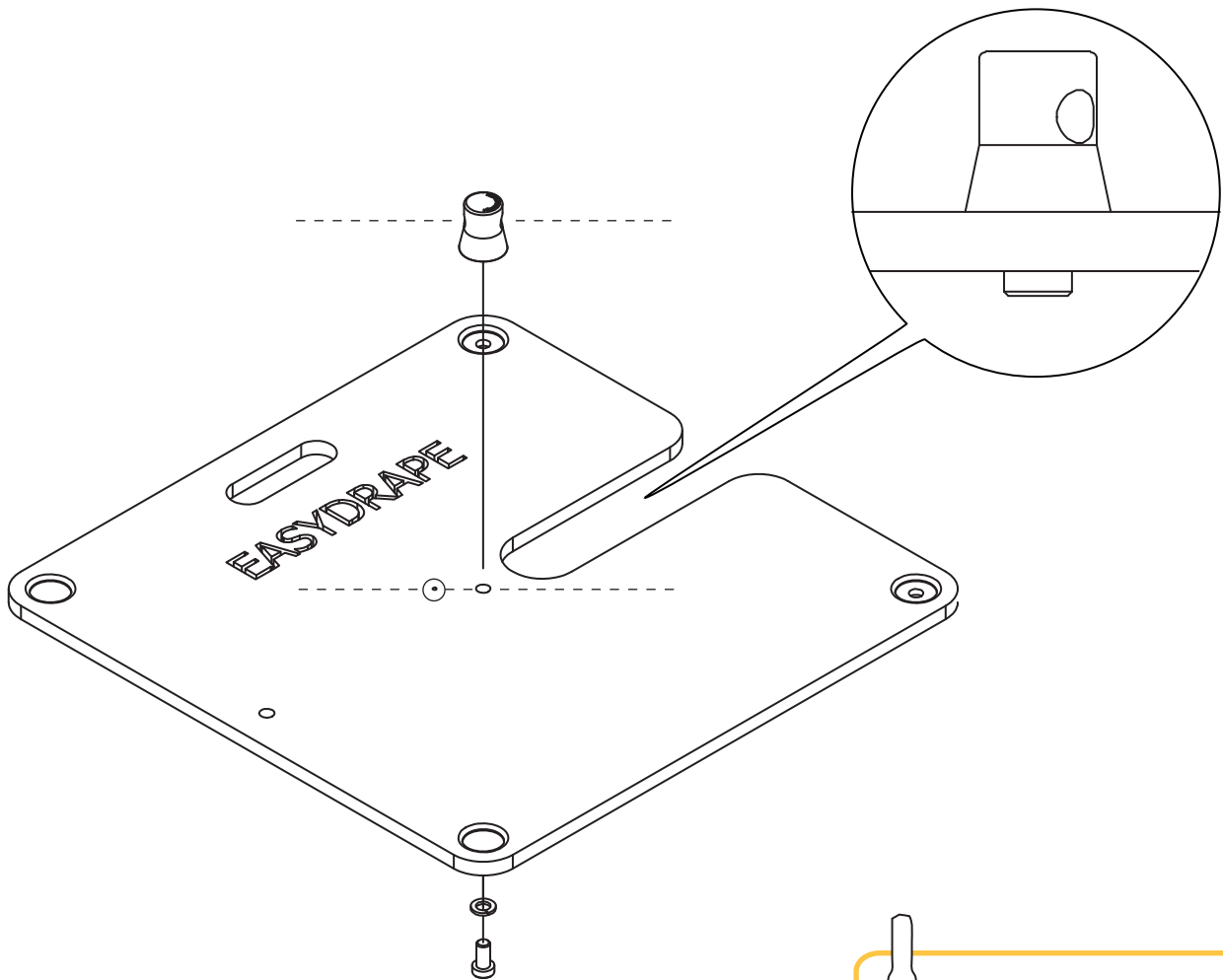
2X

ASSEMBLY

(1)

Attach the base plate connectors to the base plates and position the EasyDrape base plates at the desired distance apart.

When positioning the base plate connectors in the base plates, make sure the two holes in the sides of the connector are lined up in the same direction as the small markings in the base plate.

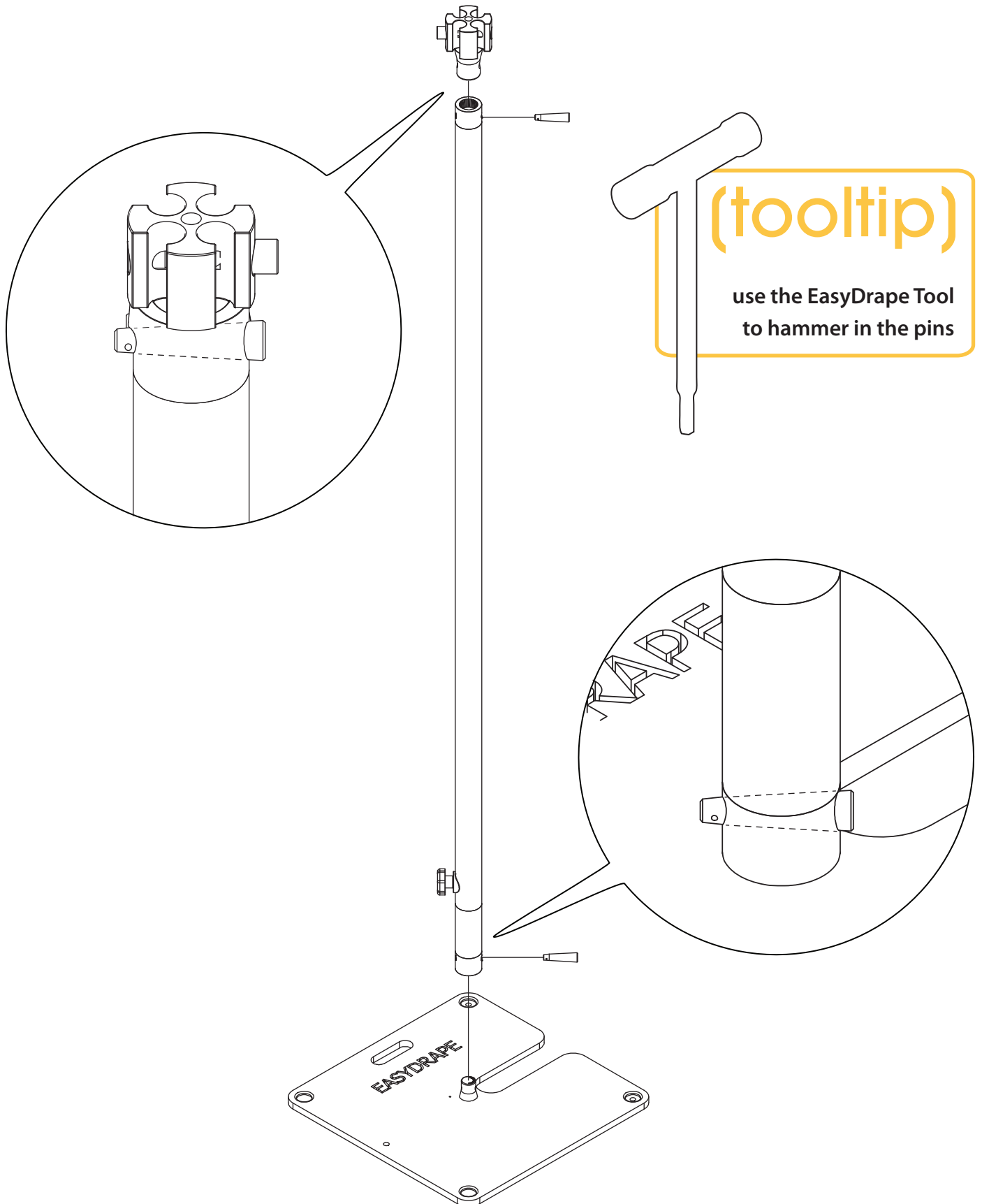


(tool tip)

use the EasyDrape Tool to
screw the base connectors
into the base plates



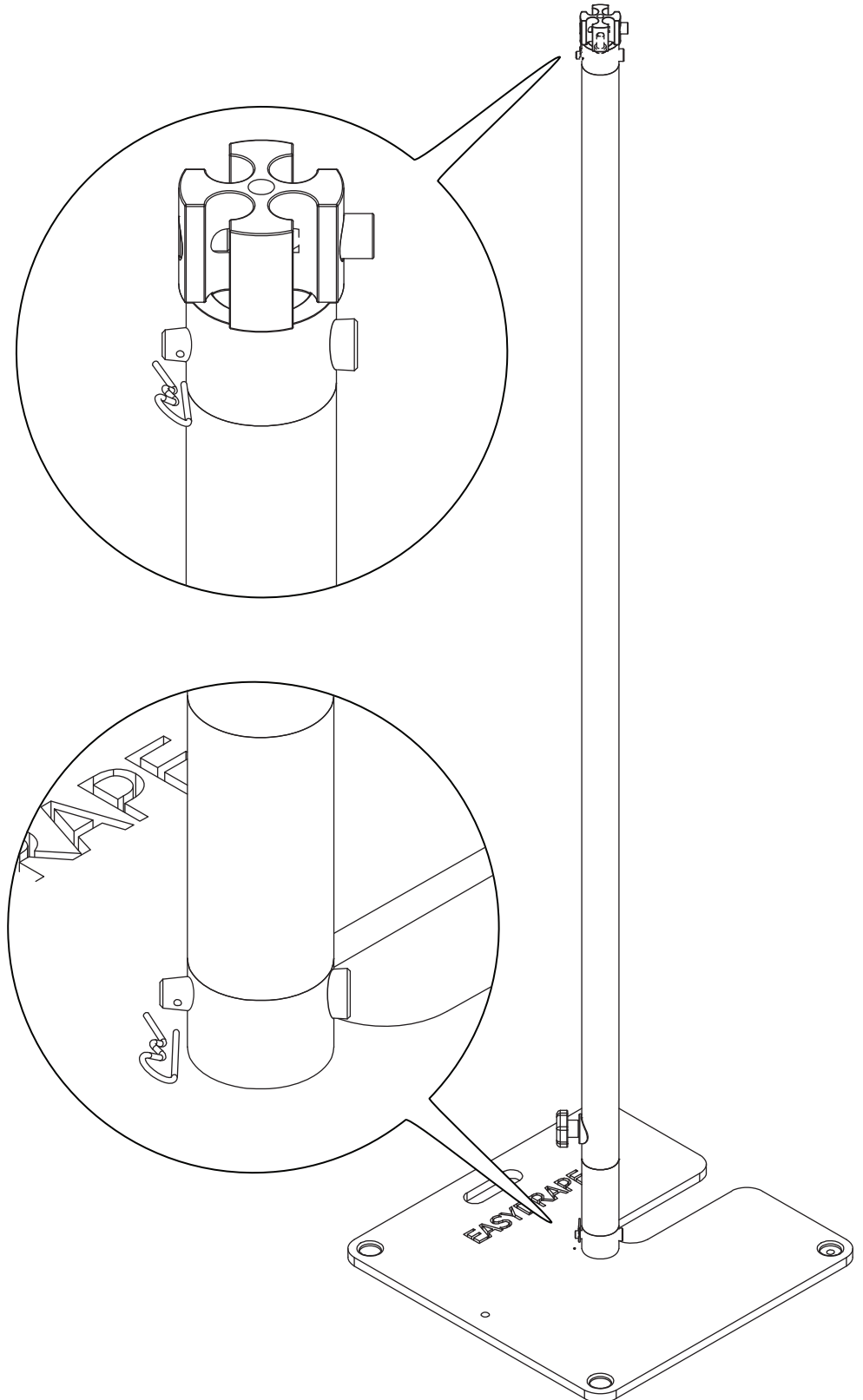
- (2)** Attach the Uprights to the plates and the four way adaptor piece to the Uprights
Hammer the pin into the larger of the two holes in the upright.



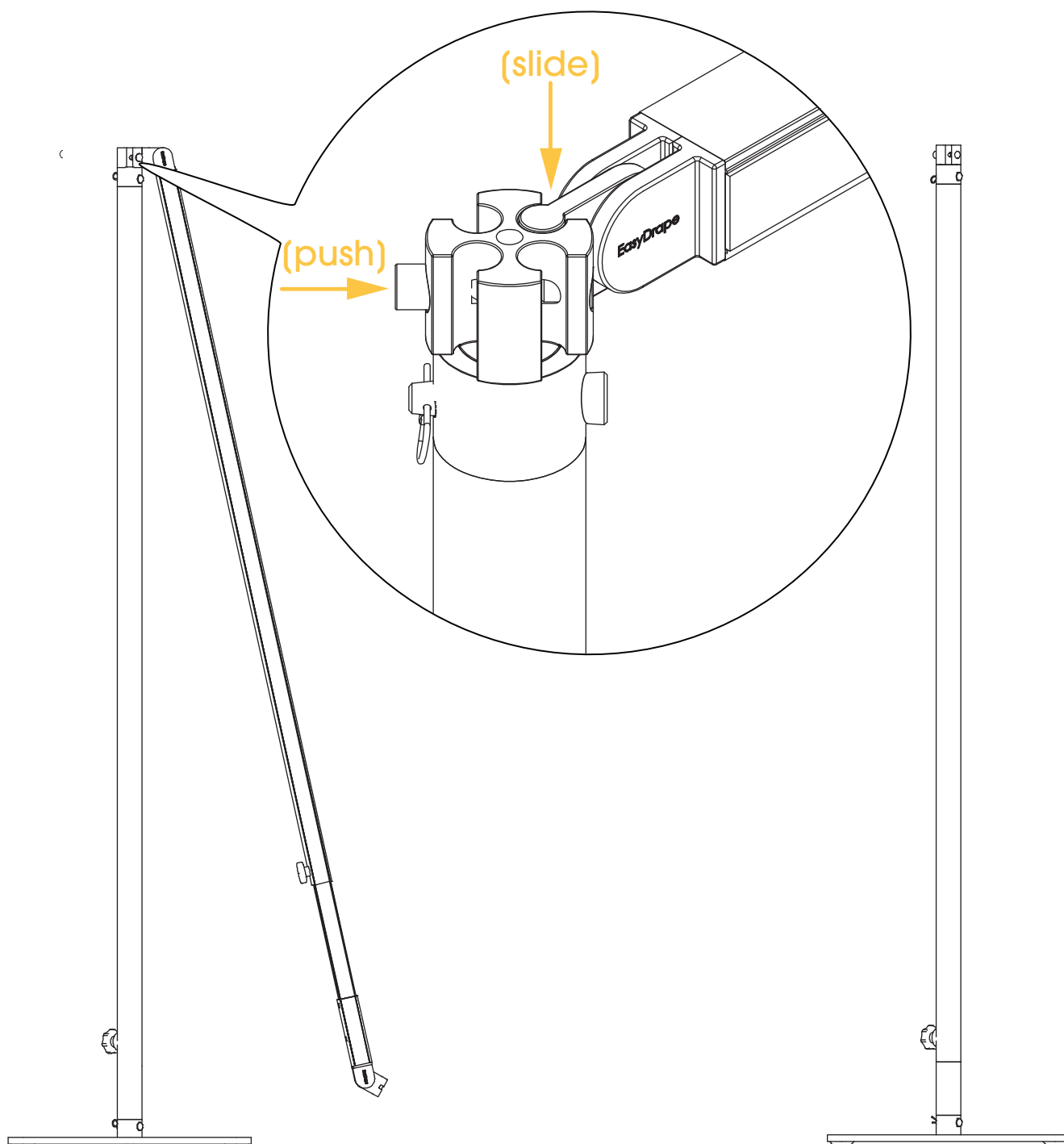
(3)

Secure the four way adaptor pieces and the Uprights

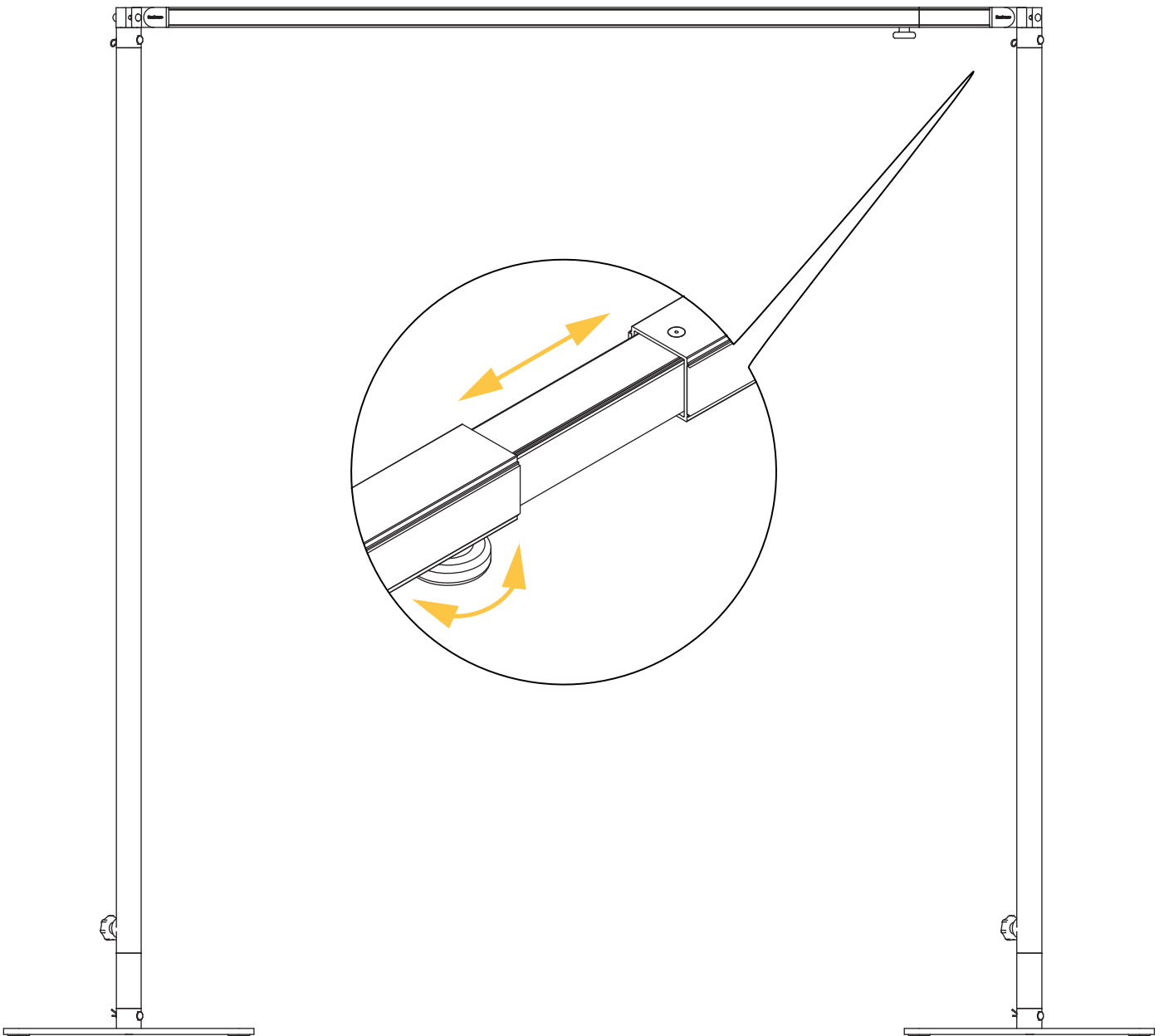
Use a safety R-spring to secure the Uprights to the plates and the base plate connectors to the Uprights.



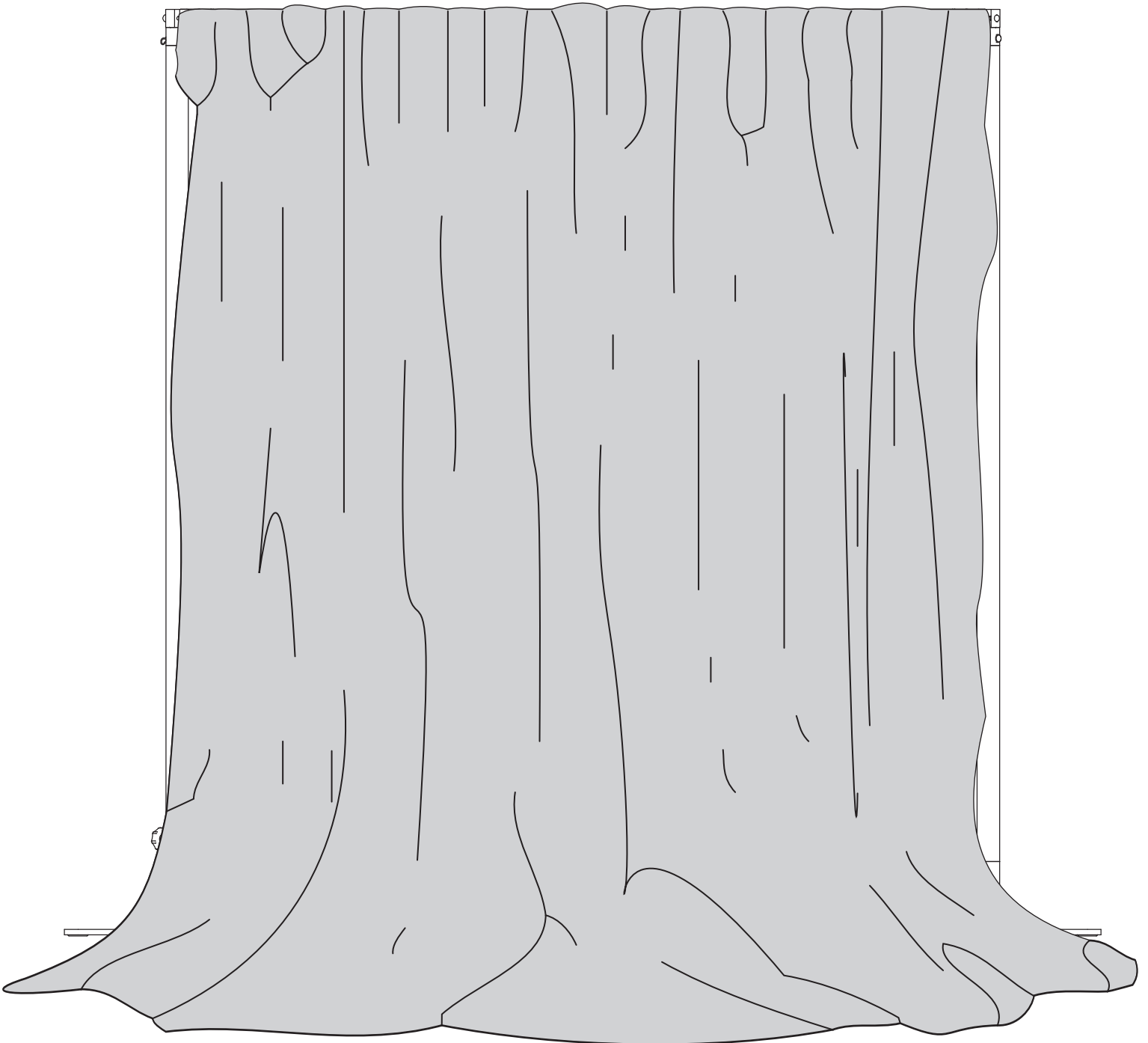
- (4)** Attach the horizontal drape support to the four way adaptor piece of each Upright. Hinges are fitted to both ends of the horizontal drape support thus enabling the end-user to assemble one side of the EasyDrape by him/herself while the other side rests on the floor.



- (5)** Extend the EasyDrape assembly horizontally to the desired width
Don't forget to loosen the screw when extending the drape support.

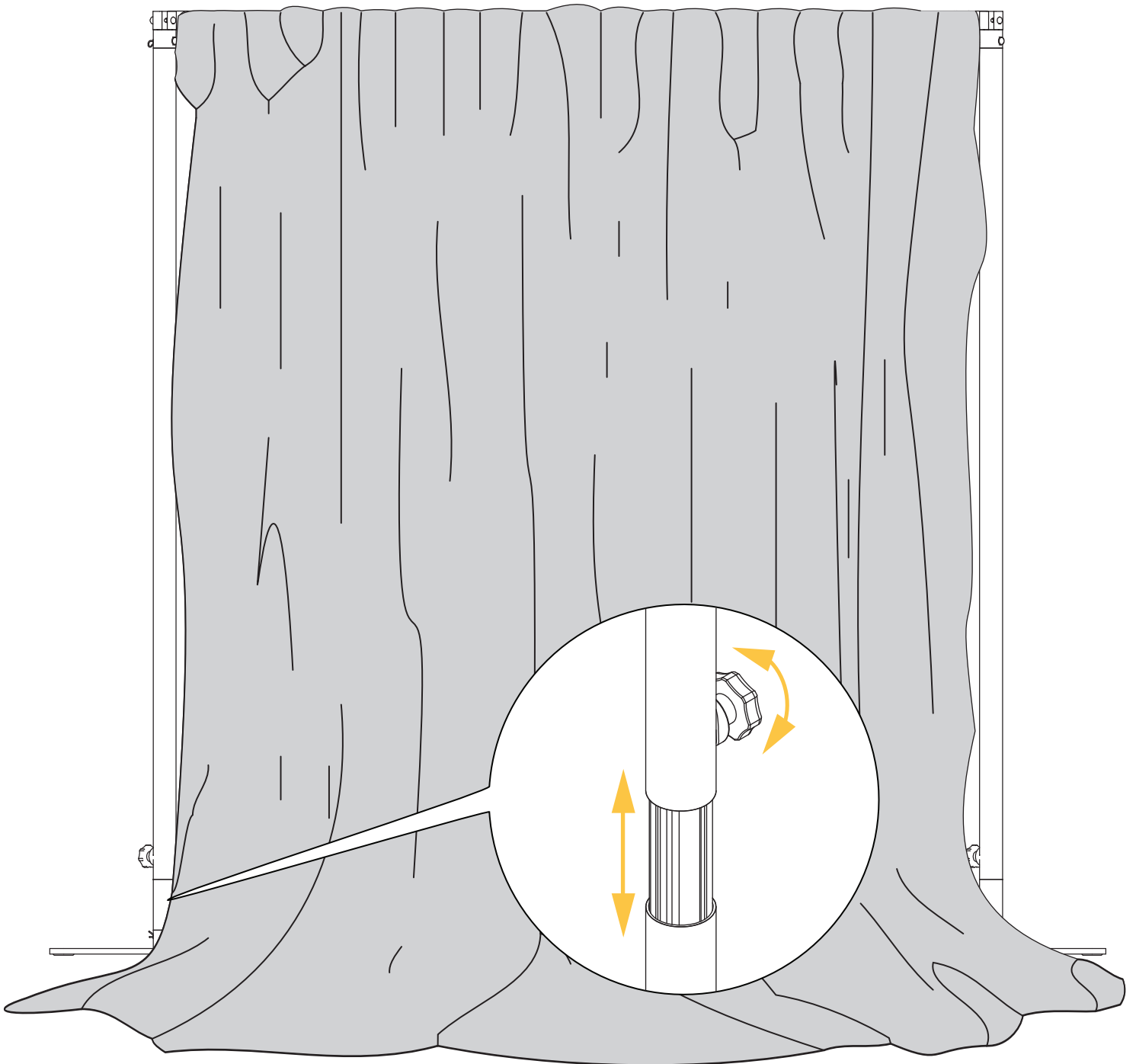


- (6)** Hang drapes, starcloths, or other fabrics measuring 2 to 5 metres in height on the drape supports with Velcro.

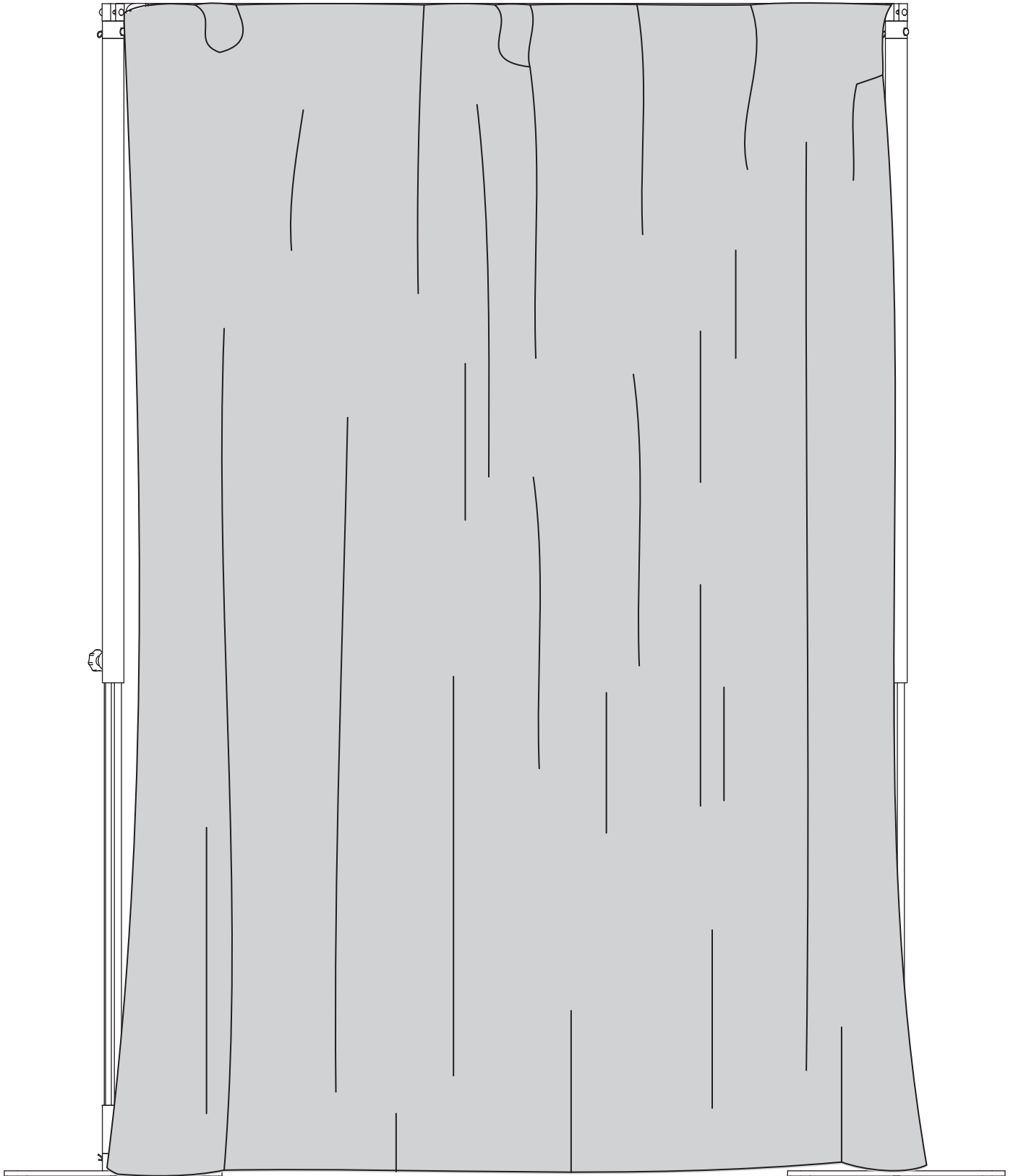


(7)

Extend the EasyDrape assembly vertically to the desired height
Don't forget to loosen the screw when extending the Uprights.



(8) You're now ready to roll!



TROUBLE SHOOTING

- For more technical assistance please contact your local ShowTex office.

HAVE A GREAT SHOW!
MORE INFO ON WWW.SHOWTEX.COM