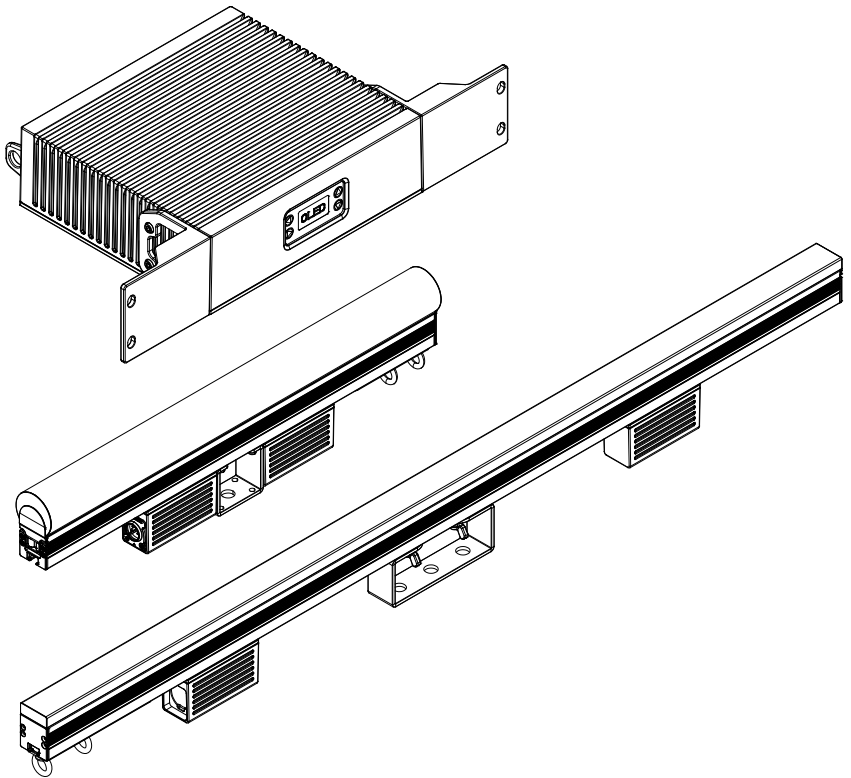


DIGIDRIVERIP DIGISTRIP50 DIGISTRIP100

MASTER DRIVER

PIXEL-MAP LED BAR



USER MANUAL
MANUALE UTENTE

All rights reserved by Music & Lights S.r.l. No part of this instruction manual may be reproduced in any form or by any means for any commercial use.

In order to improve the quality of products, Music&Lights S.r.l. reserves the right to modify the characteristics stated in this instruction manual at any time and without prior notice.
All revisions and updates are available in the 'manuals' section on site www.musiclights.it

TABLE OF CONTENTS**Safety**

General instructions	2
Warnings and installation precautions	2

1 Description and Technical specifications

1.1 DIGIDRIVERIP	3
1.2 DIGISTRIP50	4
1.3 DIGISTRIP100	5
1.4 Operating elements and connections	6

2 Installation

2.1 Mounting	7
2.2 Maximum cable distance	7

3 Functions and settings

3.1 Operation	8
3.2 Basic setup	8
3.3 Menu structure	9
3.4 DMX control	11

4 Connection diagram

17

5 Maintenance

5.1 Maintenance and cleaning the unit	18
5.2 Fuse replacement	18

Packing content

- DIGIDRIVERIP / DIGISTRIP100 / DIGISTRIP50
 - User manual
-



WARNING! Before carrying out any operations with the unit, carefully read this instruction manual and keep it with care for future reference. It contains important information about the installation, usage and maintenance of the unit.



SAFETY

General instruction

- The products referred to in this manual conform to the European Community Directives and are therefore marked with.
- The unit is supplied with hazardous network voltage (230V~). Leave servicing to skilled personnel only. Never make any modifications on the unit not described in this instruction manual, otherwise you will risk an electric shock.
- Connection of the power adapter must be made to a power supply system fitted with efficient earthing (Class I appliance according to standard EN 60598-1). It is, moreover, recommended to protect the supply lines of the units from indirect contact and/or shorting to earth by using appropriately sized residual current devices.
- The connection to the main network of electric distribution must be carried out by a qualified electrical installer. Check that the voltage correspond to those for which the unit is designed as given on the electrical data label.
- This unit is not for home use, only professional applications.
- Never use the fixture under the following conditions:
 - in places subject to vibrations or bumps;
 - in places subject to excessive humidity;
 - in places with a temperature of over 45 °C or -40°C.
- Make certain that no inflammable liquids, water or metal objects enter the fixture.
- Do not dismantle or modify the fixture.
- All work must always be carried out by qualified technical personnel. Contact the nearest sales point for an inspection or contact the manufacturer directly.
- If the unit is to be put out of operation definitively, take it to a local recycling plant for a disposal which is not harmful to the environment.



Warnings and installation precautions

- If this device will be operated in any way different to the one described in this manual, it may suffer damage and the guarantee becomes void. Furthermore, any other operation may lead to dangers like short circuit, burns, electric shock, etc.
- Every person involved with installation and maintenance of this device have to be qualified and follow the instructions of this manual.
- Before starting any maintenance work or cleaning the projector, cut off power from the main supply.
- Always additionally secure the projector with the safety rope. When carrying out any work, always comply scrupulously with all the regulations (particularly regarding safety) currently in force in the country in which the fixture's being used.
- Install the fixture in a well ventilated place.
- Keep any inflammable material at a safe distance from the fixture.
- Never look directly at the light beam. Please note that fast changes in lighting, e. g. flashing light, may trigger epileptic seizures in photosensitive persons or persons with epilepsy.
- When cleaning product, please do not use solvents such as acetone or alcohol, since they may damage the of the unit outer finish and the printings on the panels.
- This product was designed and built strictly for the use indicated in this documentation. Any other use, not expressly indicated here, could compromise the good condition/operation of the product and/or be a source of danger.
- We decline any liability deriving from improper use of the product.

- 1 - INTRODUCTION

1.1 DIGIDRIVERIP

DIGIDRIVERIP is a driver which provides power and processing to the DIGISTRIP. It has 2 outputs and can control up to 20 DIGISTRIP100s and 40 DIGISTRIP50s - each offering the control of up to 3.600 pixels in a one rack unit, offering 20 DMX universes and 546 W of power in and out. DIGIDRIVERIP cannot control DIGISTRIP, DIGITUBE and DIGITILE. DIGIDRIVERIP is compatible with Art-Net, Kling-Net and sACN protocols and runs signal and power over a 4 pole XLR cable that allow wiring of units in a chain. The user interface consists of a black OLED display for settings, protocol selection, network address and test patterns. IP 65 rating allows for the usage at outdoor events so humidity and rain are no longer a worry

BODY

- Hardware on-board: Included rack-mount hardware
- Body: sturdy die-cast aluminium body conceived for long-time durability
- Body colour: black
- Other: 2U rack

CONTROL

- Control units: 20 x DIGISTRIP100 or 40 x DIGISTRIP50
- Art-Net channels: 20x512ch
- Protocols: Art-Net, Kling-Net, sACN
- Pixel control: pixel2pixel control
- Display: black OLED high resolution display

ELECTRONICS

- Operating temperature: $-20^{\circ} \sim +45^{\circ}$

ELECTRICAL

- Power supply: 100-240 V – 50/60 Hz
- Power consumption (at 230 V): 546W
- Power consumption (at 120 V): 570W
- Output (at 230 V): 5 units on a single power line
- Output (at 120 V): 2 units on a single power line

PHYSICAL

- Cooling: natural cooling of the peculiar chassis and to absence of fans
- Sospension and fixing: any position with quick-lock omega brackets
- Signal connection: 2xRJ45 and 4p out
- Power connection: Seetronic powerCON waterproof IN/OUT connectors
- IP rating: 65 for outdoor installations
- Dimensions (WxHxD): 483x84x250 mm
- Weight: 4.5 kg

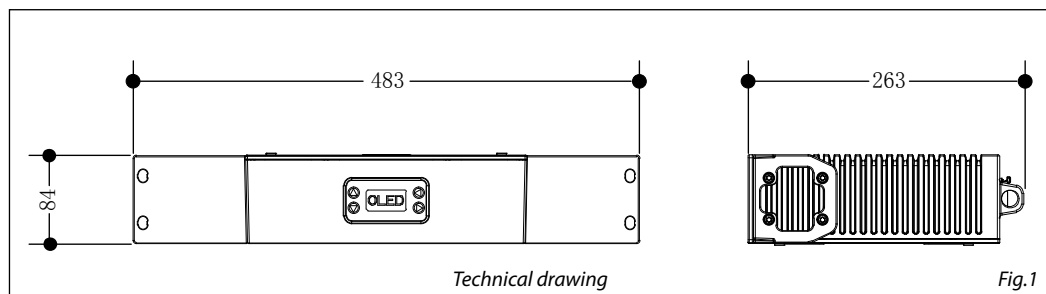


Fig.1

1.2 DIGISTRIP50

DIGISTRIP50 is a linear LED 10 mm pixel pitch video fixture for the rental market with an extensive range of optical accessories for a wide variety of looks (black and white included, transparent on demand). Each 50 cm long strip features 50 RGB / FC LEDs with individual pixel control and a 100° viewing angle. The mechanics of DIGISTRIP50 have been studied to grant greater mounting flexibility by adding sliding hardware on the back for truss application and on the side for multiple vertical linking. The external control unit DIGIDRIVERIP is compatible with Art-Net and Kling-Net protocol and runs both signal and power over a 4 pole cable that provides greater stability and connection in a daisy chain (up to 40 DIGISTRIP50).

LIGHT SOURCE

- Source: 50x0,25W RGB LEDs
- Luminous flux: without cover: 263 lm - black cover: 60 lm - flat white cover: 202 lm - dome white cover: 202lm
- Luminous flux: without cover: 4.320 nit - black cover: 727 nit - flat white cover: 1.233,6 nit - dome white cover: 681,3
- Lux: 587 lx with clear coverlx
- Source life expectancy: > 50.000 h
- Other: view angle 100° - driver chip MBI 5043

OPTICS

- Pixel pitch: 10mm
- Additional optics: black cover and white dome cover (included)
- Other: flat white cover (included)

COLOUR SYSTEM

- Colour mixing: RGB / FC
- BODY
- Hardware on-board: on board mechanics for modular assembly of multiple fixtures
- Body: sturdy aluminum profile
- Body colour: white optic and body black

CONTROL

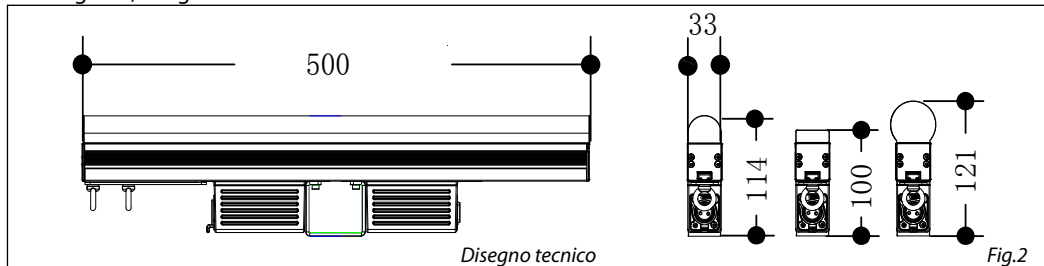
- Control units: 40 pcs power & signal under 1 pc DIGIDRIVERIP
- Art-Net channels: 150ch
- Protocols: Art-Net, Kling-Net, sACN
- Pixel control: pixel2pixel control

ELECTRICAL

- Power supply: DC 48 V

PHYSICAL

- Sospension and fixing: bracket for truss rigging and hardware for connection of more units
- Signal connection: Seetronic XLR 4p IN/OUT connectors
- IP rating: 65 for outdoor installations
- Dimensions (WxHxD): 500x33x114 mm
- Weight: 1,35 kg



1.3 DIGISTRIP100

DIGISTRIP100 is a linear LED 10 mm pixel pitch video fixture for the rental market with an extensive range of optical accessories for a wide variety of looks (black and white and transparent). Each 1 meter long strip features 100 RGB / FC LEDs with individual pixel control and a 100° viewing angle. The mechanics of DIGISTRIP100 have been studied to grant greater mounting flexibility by adding sliding hardware on the back for truss application and on the side for multiple vertical linking. The external control unit DIGIDRIVERIP is compatible with Art-Net and Kling-Net protocol and runs both signal and power over a 4 pole cable that provides greater stability and connection in a daisy chain (up to 20 DIGISTRIP100)

LIGHT SOURCE

- Source: 100x0,25W RGB LEDs
- Luminous flux: without cover: 620 lm - black cover: 101 lm - flat white cover: 382 lm - dome white cover: 411lm
- Luminous flux: without cover: 8'639,7 nit - black cover: 1'454,7 nit - flat white cover: 2'467,3 nit - dome white milky cover: 1'362,6
- Lux: 1'174 lx with clear coverlx
- Source life expectancy: > 50.000 h
- Other: view angle 100° - driver chip MBI 5043

OPTICS

- Pixel pitch: 10mm
- Additional optics: black cover and white dome cover (included)
- Other: flat white cover (included)

COLOUR SYSTEM

- Colour mixing: RGB / FC

BODY

- Hardware on-board: on board mechanics for modular assembly of multiple fixtures
- Body: sturdy aluminum profile
- Body colour: white optic and body black

CONTROL

- Control units: 20 pcs power & signal under 1 pc DIGIDRIVERIP
- Art-Net channels: 300ch
- Protocols: Art-Net, Kling-Net, sACN
- Pixel control: pixel2pixel control

ELECTRICAL

- Power supply: DC 48 V

PHYSICAL

- Suspension and fixing: bracket for truss rigging and hardware for connection of more units
- Signal connection: Seetronic XLR 4p IN/OUT connectors
- IP rating: 65 for outdoor installations
- Dimensions (WxHxD): 1.000x36x128 mm
- Weight: 2,7 kg

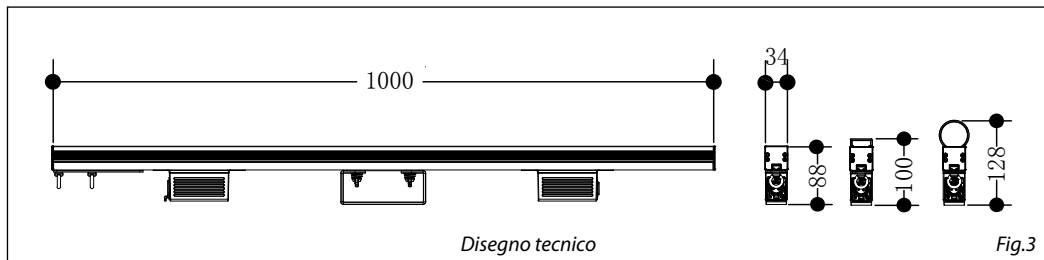


Fig.3

1.4 OPERATING ELEMENTS AND CONNECTIONS

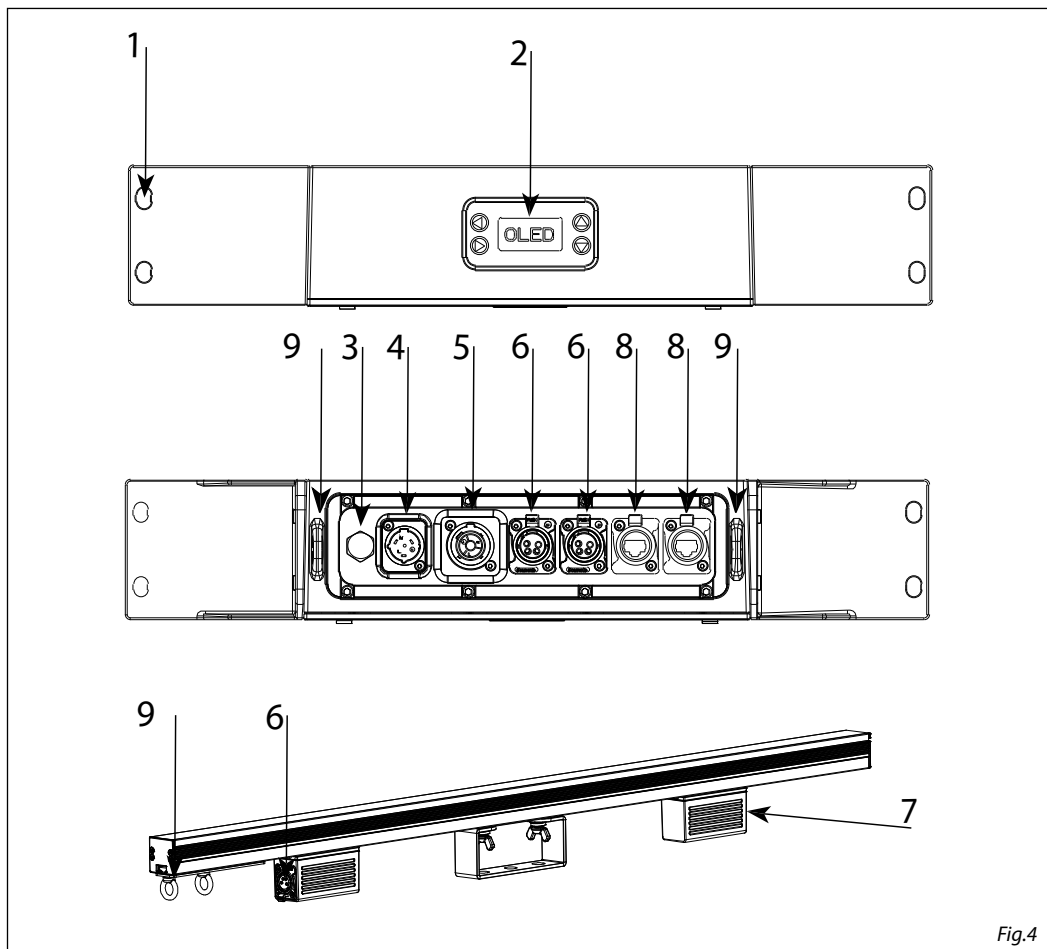


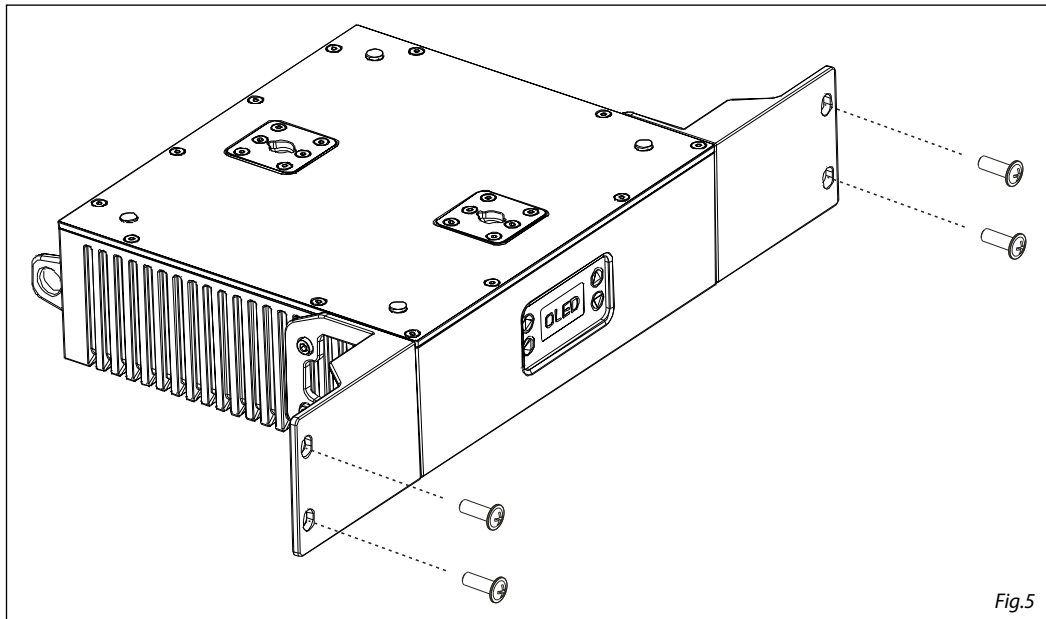
Fig.4

1. MOUNTING HOLES for fixing the rack.
2. CONTROL PANEL with display and 4 buttons used to access the control panel functions and manage them.
3. GND POINT used for the grounding of the device.
4. POWER IN (PowerCON IN) mains plug for connection to a socket (100-240V~/50/60Hz) via the supplied mains cable.
5. POWER OUT (PowerCON OUT): power output for connection of multiple units in series.
6. 4-pole XLR SIGNAL OUT FEMALE CONNECTOR.
7. DMX IN (4-pole XLR): 1 = ground, 2 = DMX-, 3 = DMX+, 4 N/C.
8. EtherCON connector Signal IN/OUT .
9. SAFETY EYE to attach safety cable.

- 2 - INSTALLATION

2.1 MOUNTING

The management and power unit DIGIDRIVERIP should be placed on a non-flammable flat surface in any orientation or fixed by four screws in a 19" rack. There are four mounting holes on the housing as shown in figure 7.



2.2 MAXIMUM CABLE DISTANCE

Max cable distance between two fixtures:

- No maximum distance between the 2 devices. The last DIGISTRIP need to stay under 60m distance

Max cable distance between DIGIDRIVERIP - first fixture connected:

- DIGIDRIVERIP - DIGISTRIP100 = 60 m
- DIGIDRIVERIP - DIGISTRIP50 = 60 m

Max distance between DIGIDRIVERIP - last fixture connected:

- DIGIDRIVERIP - DIGISTRIP100 = 60 m
- DIGIDRIVERIP - DIGISTRIP50 = 60 m

- 3 - FUNCTIONS AND SETTINGS

3.1 OPERATION

Connect the supplied main cable to a socket (100-240V~/50-60Hz). Then the unit is ready for operation and can be operated via a DMX controller or it independently performs its show program in succession. To switch off, disconnect the mains plug from the socket. For a more convenient operation it is recommended to connect the unit to a socket which can be switched on and off via a light switch.

3.1 BASIC SETUP

The DIGIDRIVERIP has an OLED display and 4 buttons for access to the functions of the control panel (fig.6).

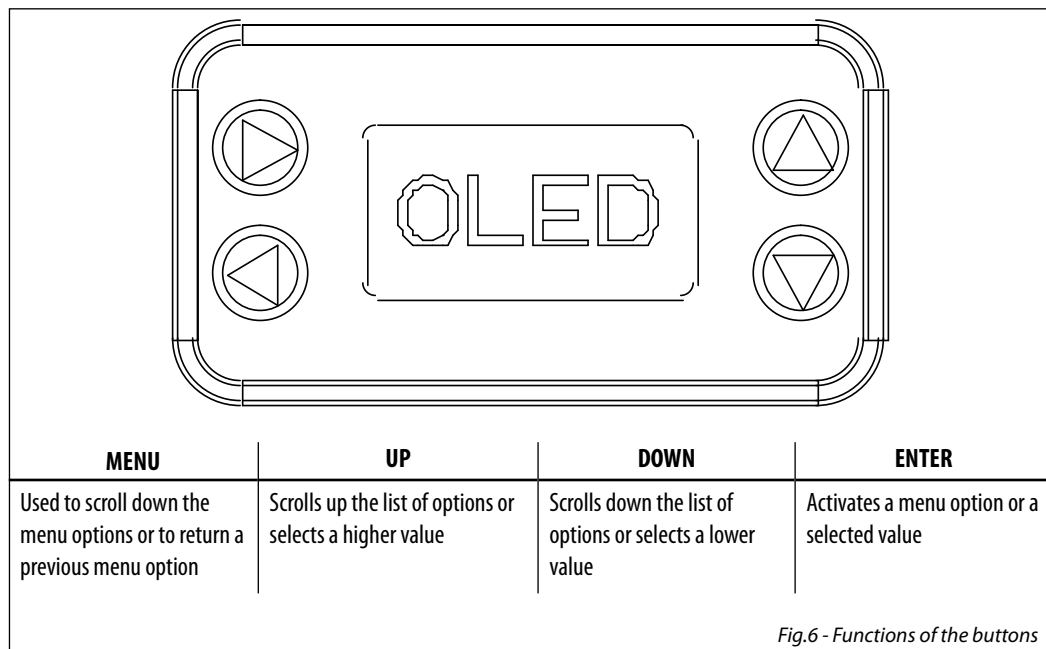


Fig.6 - Functions of the buttons

3.3 MENU STRUCTURE

	MAIN LEVEL			Remark	
1	AUTO ADDRESS	⇒	No -Yes		
2	VIEM LINKED FIXTURES	⇒	Port A	1.DIGISTRIP100 2.DIGISTRIP100 3.DIGISTRIP050 ... 18.	
			Port B	1.DIGISTRIP100 2.DIGISTRIP100 3.DIGISTRIP050 ... 18.	
3	LED OUTPUT	⇒	Off Red Green Blue White Fade Scroll	Default: Off	
4	PROTOCOL	⇒	Port A	Art - Net Kling - Net sACN	Default: Art-Net
			Port B	Art - Net Kling - Net sACN	Default: Art-Net
5	DISPLAY INVERSE	⇒	No -Yes	Default: No	
6	FACTORY RESET	⇒	No -Yes	Default: Off	
7	PORT A	⇒	Personality	7-CH-Drive 8-CH-Fixture 13-CH-Fixture 2-Section 5-Section 10-Section 25-Section 50-Section PixelTOPixel	Default : PixelTOPixel
		⇒	Net	0-127	Default: 0
		⇒	Subnet	0-15	Default: 0
		⇒	Universe	0-15	Default: 0
		⇒	sACN Universe	1-247	Default: 1
		⇒	IP Address	IP Address #1 ... IP Address #10	Art-net(IP 1-126.xxx.xxx.xxx) SACN(IP:1-255.xxx.xxx.xxx)
			Dmx Address	1 - 512	Default: 1

7	PORT B	⇒ Personality	7-CH-Drive 8-CH-Fixture 13-CH-Fixture 2-Section 5-Section 10-Section 25-Section 50-Section PixelTOPixel	Default : PixelTOPixel
		⇒ Net	0-127	Default: 0
		⇒ Subnet	0-15	Default: 0
		⇒ Universe	0-15	Default: 0
		⇒ sACN Universe	1-247	Default: 1
		⇒ IP Address	IP Address #1 ... IP Address #10	Art-net(IP 1-126.xxx.xxx.xxx) SACN(IP:1-255.xxx.xxx.xxx)
		Dmx Address	1 - 512	Default: 1
8	SCREEN LOCK	⇒ Yes-No		
9	SOFTWARE VERSION	⇒ Port A-V1.0 Port B-V1.0		

3.4 DMX CONTROL

Control Personalities

7 CHANNELS

MODE 7 Ch	FUNCTION	DMX Value
1	MASTER DIMMER 0~100%	000 - 255
2	RED 0~100%	000 - 255
3	GREEN 0~100%	000 - 255
4	BLUE 0~100%	000 - 255
5	AUTO PROGRAM No Function Auto 1 Auto 2 Auto 3 Auto 4 Auto 5 Auto 6 Auto 7 Auto 8 Auto 9 Auto 10 Auto 11 Auto 12 Auto 13 Auto 14 Auto 15 Auto 16 Auto 17 Auto 18 Auto 19 Auto 20 Auto 21 Auto 22 Auto 23 Auto 24 Auto 25 All Auto (Auto 1-25)	000 - 010 011 - 020 021 - 029 030 - 039 040 - 048 049 - 057 058 - 067 068 - 076 077 - 086 087 - 095 096 - 104 105 - 114 115 - 123 124 - 133 134 - 142 143 - 151 152 - 161 162 - 170 171 - 179 180 - 189 190 - 198 199 - 208 209 - 217 218 - 226 227 - 236 237 - 245 246 - 255
6	MASTER DIMMER 0~100%	000 - 255
7	STROBE No function Strobe Slow to Fast	000 - 010 011 - 255

8 CHANNELS

MODE 8 Ch	FUNCTION	DMX Value
1	MASTER DIMMER 0~100%	000 - 255
2	RED 0~100%	000 - 255
3	GREEN 0~100%	000 - 255
4	BLUE 0~100%	000 - 255
5	AUTO PROGRAM No Function Auto 1 Auto 2 Auto 3 Auto 4 Auto 5 Auto 6 Auto 7 Auto 8 Auto 9 Auto 10 Auto 11 Auto 12 Auto 13 Auto 14 Auto 15 Auto 16 Auto 17 Auto 18 Auto 19 Auto 20 Auto 21 Auto 22 Auto 23 Auto 24 Auto 25 All Auto (Auto 1-25)	000 - 010 011 - 020 021 - 029 030 - 039 040 - 048 049 - 057 058 - 067 068 - 076 077 - 086 087 - 095 096 - 104 105 - 114 115 - 123 124 - 133 134 - 142 143 - 151 152 - 161 162 - 170 171 - 179 180 - 189 190 - 198 199 - 208 209 - 217 218 - 226 227 - 236 237 - 245 246 - 255
6	MASTER DIMMER 0~100%	000 - 255
7	STROBE No function Strobe Slow to Fast	000 - 010 011 - 255

8 CHANNELS

MODE 8 Ch	FUNCTION	DMX Value
8	DIMMER SPEED MODE Dimmer speed mode off Dimmer speed mode1 (fast speed) Dimmer speed mode2 (middle speed) Dimmer speed mode3 (slow speed)	000 - 101 102 - 152 153 - 203 204 - 255

13 CHANNELS

MODE 13 Ch	FUNCTION	DMX Value
1	FOREGROUND DIMMER 0~100%	000 - 255
2	FOREGROUND STROBE NO Function Slow to Fast Strobe	000 - 010 011 - 255
3	FOREGROUND FADE Dimmer speed mode off Dimmer speed mode1 (fast speed) Dimmer speed mode2 (middle speed) Dimmer speed mode3 (slow speed)	000 - 101 102 - 152 153 - 203 204 - 255
4	FOREGROUND RED 0~100%	000 - 255
5	FOREGROUND GREEN 0~100%	000 - 255
6	FOREGROUND BLUE 0~100%	000 - 255
7	BACKGROUND DIMMER 0~100%	000 - 255
8	BACKGROUND STROBE NO Function Slow to Fast Strobe	000 - 010 011 - 255
9	BACKGROUND RED 0~100%	000 - 255
10	BACKGROUND GREEN 0~100%	000 - 255
11	BACKGROUND BLUE 0~100%	000 - 255

13 CHANNELS

MODE 13 Ch	FUNCTION	DMX Value
12	AUTO PROGRAM No Function	000 - 010
	Auto 1	011 - 020
	Auto 2	021 - 029
	Auto 3	030 - 039
	Auto 4	040 - 048
	Auto 5	049 - 057
	Auto 6	058 - 067
	Auto 7	068 - 076
	Auto 8	077 - 086
	Auto 9	087 - 095
	Auto 10	096 - 104
	Auto 11	105 - 114
	Auto 12	115 - 123
	Auto 13	124 - 133
	Auto 14	134 - 142
	Auto 15	143 - 151
	Auto 16	152 - 161
	Auto 17	162 - 170
	Auto 18	171 - 179
	Auto 19	180 - 189
	Auto 20	190 - 198
	Auto 21	199 - 208
	Auto 22	209 - 217
	Auto 23	218 - 226
	Auto 24	227 - 236
Auto 25	237 - 245	
All Auto (Auto 1-25)	246 - 255	
13	SPEED 0~100%	000 - 255

6 CHANNELS

2-SECTION 6 Ch	FUNCTION	DMX Value
1	RED 1 0~100%	000 - 255
2	GREEN 1 0~100%	000 - 255
3	BLUE 1 0~100%	000 - 255
4	RED 2 0~100%	000 - 255
5	GREEN 2 0~100%	000 - 255
6	BLUE 2 0~100%	000 - 255

15 CHANNELS

5-SECTION 15 Ch	FUNCTION	DMX Value
1	RED 1 0~100%	000 - 255
2	GREEN 1 0~100%	000 - 255
3	BLUE 1 0~100%	000 - 255
4	RED 2 0~100%	000 - 255
5	GREEN 2 0~100%	000 - 255
6	BLUE 2 0~100%	000 - 255
7	RED 3 0~100%	000 - 255
8	GREEN 3 0~100%	000 - 255
9	BLUE 3 0~100%	000 - 255
10	RED 4 0~100%	000 - 255
11	GREEN 4 0~100%	000 - 255
12	BLUE 4 0~100%	000 - 255
13	RED 5 0~100%	000 - 255
14	GREEN 5 0~100%	000 - 255
15	BLUE 5 0~100%	000 - 255

30 CHANNELS

10-SECTION 30 Ch	FUNCTION	DMX Value
1	RED 1 0~100%	000 - 255
2	GREEN 1 0~100%	000 - 255
3	BLUE 1 0~100%	000 - 255
4	RED 2 0~100%	000 - 255
5	GREEN 2 0~100%	000 - 255
6	BLUE 2 0~100%	000 - 255
	...	
25	RED 9 0~100%	000 - 255
26	GREEN 9 0~100%	000 - 255
27	BLUE 9 0~100%	000 - 255
28	RED 10 0~100%	000 - 255
29	GREEN 10 0~100%	000 - 255
30	BLUE 10 0~100%	000 - 255

75 CHANNELS

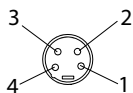
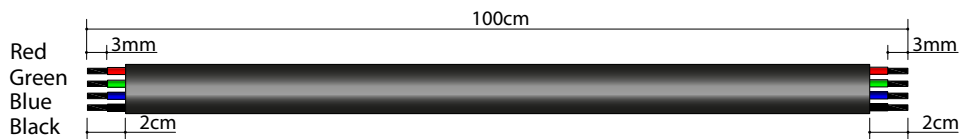
25-SECTION 75 Ch	FUNCTION	DMX Value
1	RED 1 0~100%	000 - 255
2	GREEN 1 0~100%	000 - 255
3	BLUE 1 0~100%	000 - 255
4	RED 2 0~100%	000 - 255
5	GREEN 2 0~100%	000 - 255
6	BLUE 2 0~100%	000 - 255
	...	
70	RED 24 0~100%	000 - 255
71	GREEN 24 0~100%	000 - 255
72	BLUE 24 0~100%	000 - 255
73	RED 25 0~100%	000 - 255
74	GREEN 25 0~100%	000 - 255
75	BLUE 25 0~100%	000 - 255

150 CHANNELS

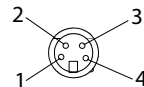
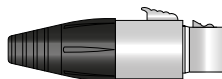
50-SECTION 150 Ch	FUNCTION	DMX Value
1	RED 1 0~100%	000 - 255
2	GREEN 1 0~100%	000 - 255
3	BLUE 1 0~100%	000 - 255
4	RED 2 0~100%	000 - 255
5	GREEN 2 0~100%	000 - 255
6	BLUE 2 0~100%	000 - 255
	...	
145	RED 49 0~100%	000 - 255
146	GREEN 49 0~100%	000 - 255
147	BLUE 49 0~100%	000 - 255
148	RED 50 0~100%	000 - 255
149	GREEN 50 0~100%	000 - 255
150	BLUE 50 0~100%	000 - 255

300 CHANNELS

PixelTOPixel 300 Ch	FUNCTION	DMX Value
1	RED 1 0~100%	000 - 255
2	GREEN 1 0~100%	000 - 255
3	BLUE 1 0~100%	000 - 255
4	RED 2 0~100%	000 - 255
5	GREEN 2 0~100%	000 - 255
6	BLUE 2 0~100%	000 - 255
	...	
295	RED 99 0~100%	000 - 255
296	GREEN 99 0~100%	000 - 255
297	BLUE 99 0~100%	000 - 255
298	RED 100 0~100%	000 - 255
299	GREEN 100 0~100%	000 - 255
300	BLUE 100 0~100%	000 - 255

- 4 - CONNECTION DIAGRAM

Male connector



Female connector

1-Red 2-Green 3-Blue 4-Black



- 5 - MAINTENANCE

5.1 MAINTENANCE AND CLEANING THE UNIT

- Make sure the area below the installation place is free from unwanted persons during setup.
- All screws used for installing the device and any of its parts should be tightly fastened and should not be corroded.
- Housings, fixations and installation spots (ceiling, trusses, suspensions) should be totally free from any deformation.
- The main cables must be in impeccable condition and should be replaced immediately even when a small problem is detected.

To maintain optimum performance and minimize wear, you should clean this product frequently. Usage and environment are contributing factors in determining the cleaning frequency. As a rule, clean this product at least twice a month. Dust build-up reduces light output performance and can cause overheating. This can lead to reduced light source life and increased mechanical wear.

Cleaning the unit:

- Unplug the product.
- Wait until the product is at room temperature.
- Use a vacuum (or dry compressed air) and a soft brush to remove dust collected on the external vents and accessible internal components.
- Clean all external surfaces with a mild solution of non-ammonia glass cleaner or isopropyl alcohol.
- Apply a solution directly to a soft, lint-free cotton cloth or a lens cleaning tissue.

NOTE - Do not open this product for cleaning or servicing.

5.2 FUSE REPLACEMENT

1. Disconnect this product from the power outlet.
2. Remove the safety cap by a screwdriver.
3. Replace the blown fuse with a fuse of the exact same type and rating.
4. Install the safety cap, and reconnect power.

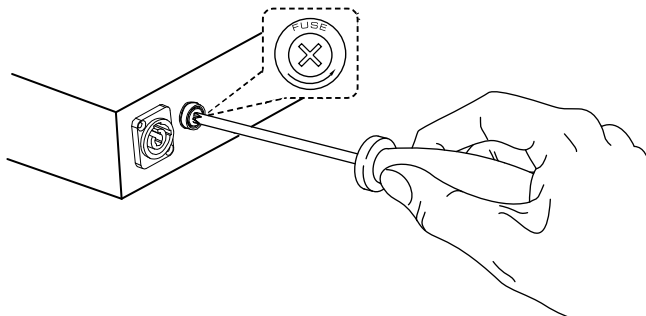


Fig.7

Music & Lights S.r.l. si riserva ogni diritto di elaborazione in qualsiasi forma delle presenti istruzioni per l'uso.
La riproduzione - anche parziale - per propri scopi commerciali è vietata.

Al fine di migliorare la qualità dei prodotti, la Music&Lights S.r.l. si riserva la facoltà di modificare, in qualunque momento e senza preavviso, le specifiche menzionate nel presente manuale di istruzioni. Tutte le revisioni e gli aggiornamenti sono disponibili nella sezione 'Manuali' sul sito www.musiclights.it

INDICE	Sicurezza	
	Avvertenze generali	4
	Attenzioni e precauzioni per l'installazione	4
	1 Introduzione	
	1.1 DIGIDRIVERIP	5
	1.2 DIGISTRIP100	6
	1.3 DIGISTRIP50	7
	1.4 Elementi di comando e collegamenti	8
	2 Installazione	
	2.1 Montaggio	9
	2.2 Distanza massima di cablaggio	9
	3 Funzioni e impostazioni	
	3.1 Funzionamento	10
	3.2 Impostazione base	10
	3.3 Struttura menu	11
	3.4 Controlli DMX	13
	4 Schema di collegamento	19
	5 Manutenzione	
	5.1 Manutenzione e pulizia del sistema	20
	5.2 Sostituzione fusibile	20

Contenuto dell'imballo:

- DIGIDRIVERIP / DIGISTRIP100 / DIGISTRIP50
- Manuale utente




ATTENZIONE! Prima di effettuare qualsiasi operazione con l'unità, leggere con attenzione questo manuale e conservarlo accuratamente per riferimenti futuri. Contiene informazioni importanti riguardo l'installazione, l'uso e la manutenzione dell'unità.



SICUREZZA

Avvertenze generali

- I prodotti a cui questo manuale si riferisce sono conformi alle Direttive della Comunità Europea e pertanto recano la sigla **CE**.
- Il dispositivo funziona con pericolosa tensione di rete 230V~. Non intervenire mai al suo interno al di fuori delle operazioni descritte nel presente manuale; esiste il pericolo di una scarica elettrica.
- È obbligatorio effettuare il collegamento ad un impianto di alimentazione dotato di un'efficiente messa a terra (apparecchio di Classe I secondo norma EN 60598-1). Si raccomanda, inoltre, di proteggere le linee di alimentazione delle unità dai contatti indiretti e/o cortocircuiti verso massa tramite l'uso di interruttori differenziali opportunamente dimensionati.
- Le operazioni di collegamento alla rete di distribuzione dell'energia elettrica devono essere effettuate da un installatore elettrico qualificato. Verificare che frequenza e tensione della rete corrispondono alla frequenza ed alla tensione per cui l'unità è predisposta, indicate sulla targhetta dei dati elettrici.
- L'unità non per uso domestico, solo per uso professionale.
- Evitare di utilizzare l'unità:
 - in luoghi soggetti a vibrazioni, o a possibili urti;
 - in luoghi soggetti ad eccessiva umidità;
 - in luoghi a temperatura superiore ai 45°C oppure ai -40°C.
- Evitare che nell'unità penetrino liquidi infiammabili, acqua o oggetti metallici.
- Non smontare e non apportare modifiche all'unità.
- Tutti gli interventi devono essere sempre e solo effettuati da personale tecnico qualificato. Rivolgersi al più vicino centro di assistenza tecnica autorizzato.
- Se si desidera eliminare il dispositivo definitivamente, consegnarlo  per lo smaltimento ad un'istituzione locale per il riciclaggio.

Attenzioni e precauzioni per l'installazione

- Se il dispositivo dovesse trovarsi ad operare in condizioni differenti da quelle descritte nel presente manuale, potrebbero verificarsi dei danni; in tal caso la garanzia verrebbe a decadere. Inoltre, ogni altra operazione potrebbe provocare cortocircuiti, incendi, scosse elettriche, rotture etc.
- Ogni persona coinvolta con l'installazione e la manutenzione di questo prodotto deve essere qualificata e seguire le istruzioni di questo manuale.
- Prima di iniziare qualsiasi operazione di manutenzione o pulizia sull'unità togliere la tensione dalla rete di alimentazione.
- Nell'eseguire qualsiasi intervento attenersi scrupolosamente a tutte le normative (in materia di sicurezza) vigenti nel paese di utilizzo.
- Installare l'unità in un luogo ben ventilato.
- Mantenere i materiali infiammabili ad una distanza di sicurezza dall'unità.
- Non guardare direttamente il fascio luminoso. Tenete presente che i veloci cambi di luce possono provocare attacchi d'epilessia presso persone fotosensibili o epilettiche.
- Per la pulizia del prodotto non usare solventi tipo acetone o alcool per non danneggiare la finitura esterna.
- Questo prodotto è stato progettato e costruito esclusivamente per l'utilizzo indicato in questa documentazione. Qualsiasi altro utilizzo non espressamente indicato potrebbe pregiudicare la funzionalità del prodotto e/o rappresentare fonte di pericolo.
- Si declina qualsiasi responsabilità derivata dall'uso improprio del prodotto.

- 1 - INTRODUZIONE

1.1 DIGIDRIVERIP

DIGIDRIVERIP è un alimentatore e processore del DIGISTRIP. Ha 2 uscite e può controllare fino a 20 DIGISTRIP100 o 40 DIGISTRIP50, ognuno con la possibilità di controllare fino a 3.600 pixels in una unità rack, disponendo di 20 universi DMX e 546 W di alimentazione. DIGIDRIVERIP non può controllare DIGISTRIP, DIGITUBE e DIGITILE. DIGIDRIVERIP è compatibile con i protocolli Art-Net, Kling-Net e sACN e trasmette segnale e alimentazione su un cavo XLR a 4 poli che permette il cablaggio in catena delle unità. L'interfaccia utente consiste in uno schermo OLED nero per i settaggi, selezione dei protocolli, indirizzi di rete e i test pattern. Il grado IP è 65 e permette l'utilizzo per eventi all'esterno così l'utente non deve preoccuparsi di pioggia e umidità.

CORPO

- Hardware a bordo: Included kit per montaggio rack
- Corpo: corpo in alluminio pressofuso ad alta resistenza
- Colore: nero
- Altro: 2U rack

CONTROLLO

- Controllo unità: 20 x DIGISTRIP100 or 40 x DIGISTRIP50
- Canali Art-Net: 20x512ch
- Protocolli: Art-Net, Kling-Net, sACN
- Pixel control: controllo pixel2pixel
- Display: display black OLED ad alta risoluzione

ELETTRONICA

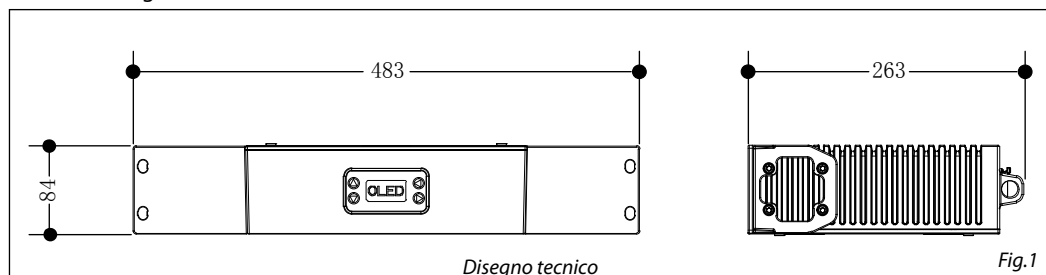
- Temperatura d'esercizio: -20° ~ +45°

ALIMENTAZIONE

- Alimentazione elettrica: 100-240 V – 50/60 Hz
- Potenza assorbita (a 230 V): 546W
- Potenza assorbita (a 120 V): 570W
- Output (a 230 V): 5 unità connesse in serie
- Output (a 120 V): 2 unità connesse in serie

CARATTERISTICHE FISICHE

- Raffreddamento: proiettore privo di ventole e struttura disegnata per una dissipazione a convezione naturale
- Sospensione e fissaggio: qualsiasi posizione con supporti omega (inclusi) "quicklock"
- Connessione di segnale: 2xRJ45 and 4p out
- Connessione di alimentazione: Seetronic powerKon waterproof IN/OUT connectors
- Grado IP: 65 per installazioni outdoor
- Dimensioni (LxAxP): 483x84x250 mm
- Peso: 4.5 kg



1.2 DIGISTRIP50

DIGISTRIP50 è una strip led video con passo di 10 mm e una vasta gamma di accessori ottici per un'ampia varietà di aspetti (nero e bianco latte e trasparente). Ogni strip è lunga 50 cm e ha 50 LED RGB / FC con controllo individuale dei pixel e un angolo di visuale di 100°. Le meccaniche del DIGISTRIP50 sono state studiate per garantire una grande flessibilità attraverso un hardware scorrevole sul retro per applicazioni su truss e sul lato per attaccarne uno all'altro. L'unità di controllo esterna DIGIDRIVERIP è compatibile con i protocolli Art-Net e Kling-Net e trasmette sia segnale che alimentazione attraverso un cavo a 4 poli che offre una maggiore stabilità e connessione in catena (fino a 40 DIGISTRIP50).

SORGENTE LUMINOSA

- Sorgente: 50x0,25W RGB LEDs
- Flusso luminoso: without cover: 263 lm - black cover: 60 lm - flat white cover: 202 lm - dome white cover: 202lm
- Flusso luminoso: without cover: 4.320 nit - black cover: 727 nit - flat white cover: 1.233,6 nit - dome white cover: 681,3
- Lux: 587 lx with clear coverlx
- Durata media sorgente: > 50.000 h
- Altro: view angle 100° - driver chip MBI 5043

OTTICA

- Pixel pitch: 10mm
- Ottiche aggiuntive: black cover and white dome cover (included)
- Altro: flat white cover (included)

SISTEMA COLORE

- Miscelazione del colore: RGB / FC

CORPO

- Hardware a bordo: meccanica integrata per l'assemblaggio modulare di più apparecchi
- Corpo: robusto profilo in alluminio
- Colore: white optic and body nero

CONTROLLO

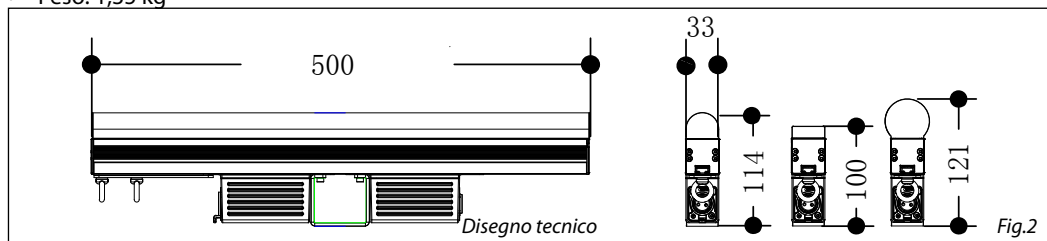
- Controllo unità: 40 pcs power & signal under 1 pc DIGIDRIVERIP
- Canali Art-Net: 150ch
- Protocolli: Art-Net, Kling-Net, sACN
- Pixel control: controllo pixel2pixel

ALIMENTAZIONE

- Alimentazione elettrica: DC 48 V

CARATTERISTICHE FISICHE

- Sospensione e fissaggio: staffa per truss rigging e hardware di collegamento tra più unità
- Connessione di segnale: Seetronic XLR 4p IN/OUT
- Grado IP: 65 per installazioni outdoor
- Dimensioni (LxAxP): 500x33x114 mm
- Peso: 1,35 kg



1.3 DIGISTRIP100

DIGISTRIP100 è una strip led video con passo di 10 mm e una vasta gamma di accessori ottici per un'ampia varietà di aspetti (nero e bianco latte e trasparente). Ogni strip è lunga 1 m e ha 100 LED RGB / FC con controllo individuale dei pixel e un angolo di visuale di 100°. Le meccaniche del DIGISTRIP100 sono state studiate per garantire una grande flessibilità attraverso un hardware scorrevole sul retro per applicazioni su truss e sul lato per attaccarne uno all'altro. L'unità di controllo esterna DIGIDRIVERIP è compatibile con i protocolli Art-Net e Kling-Net e trasmette sia segnale che alimentazione attraverso un cavo a 4 poli che offre una maggiore stabilità e connessione in catena (fino a 20 DIGISTRIP100).

SORGENTE LUMINOSA

- Sorgente: 100x0,25W RGB LEDs
- Flusso luminoso: without cover: 620 lm - black cover: 101 lm - flat white cover: 382 lm - dome white cover: 411lm
- Flusso luminoso: without cover: 8'639,7 nit - black cover: 1'454,7 nit - flat white cover: 2'467,3 nit - dome white milky cover: 1'362,6
- Lux: 1'174 lx with clear coverlx
- Durata media sorgente: > 50.000 h
- Altro: view angle 100° - driver chip MBI 5043

OTTICA

- Pixel pitch: 10mm
- Ottiche aggiuntive: black cover and white dome cover (included)
- Altro: flat white cover (included)

SISTEMA COLORE

- Miscelazione del colore: RGB / FC

CORPO

- Hardware a bordo: meccanica integrata per l'assemblaggio modulare di più apparecchi
- Corpo: robusto profilo in alluminio
- Colore: white optic and body nero

CONTROLLO

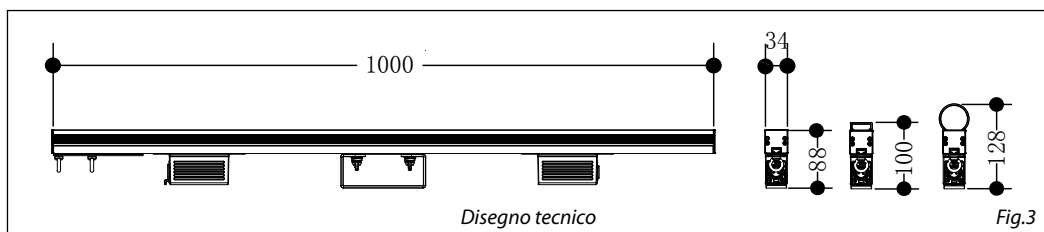
- Controllo unità: 20 pcs power & signal under 1 pc DIGIDRIVERIP
- Canali Art-Net: 300ch
- Protocolli: Art-Net, Kling-Net, sACN
- Pixel control: controllo pixel2pixel

ALIMENTAZIONE

- Alimentazione elettrica: DC 48 V

CARATTERISTICHE FISICHE

- Sospensione e fissaggio: staffa per truss rigging e hardware di collegamento tra più unità
- Connessione di segnale: Seetronic XLR 4p IN/OUT
- Grado IP: 65 per installazioni outdoor
- Dimensioni (LxAxP): 1.000x36x128 mm
- Peso: 2,7 kg



1.4 ELEMENTI DI COMANDO E COLLEGAMENTI

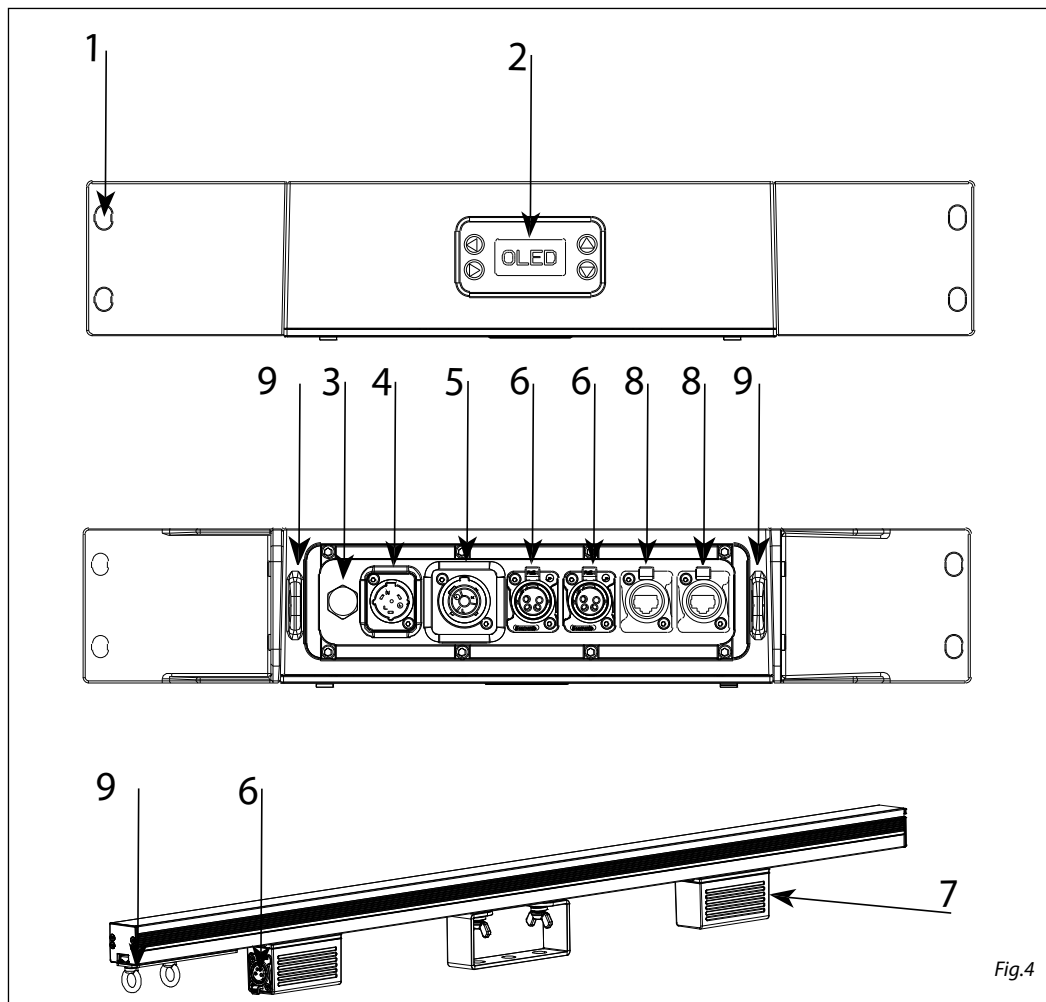


Fig.4

1. FORI DI FISSAGGIO per il montaggio rack.
2. PANNELLO DI CONTROLLO con display e 4 pulsanti per accesso e gestione delle diverse funzioni.
3. GND POINT usato per la messa a terra del dispositivo.
4. POWER IN (PowerCON IN): per il collegamento ad una presa di rete (100-240V~/50-60Hz) tramite il cavo rete in dotazione.
5. POWER OUT (PowerCON OUT): collegamento per l'alimentazione all'unità successiva.
6. XLR a 4 poli CONNETTORE DI SEGNALE OUT FEMMINA.
7. DMX IN (XLR a 4 poli): 1 = massa, 2 = DMX -, 3 = DMX +, 4 N/C.
8. CONNETTORI EtherCON segnale IN/OUT.
9. SAFETY EYE per l'aggancio al cavo di sicurezza.

- 2 - INSTALLAZIONE

2.1 MONTAGGIO

L'unità di gestione e alimentazione DIGIDRIVERIP deve essere collocata in modo stabile su una superficie piana non infiammabile, oppure può essere montata in un rack da 19" per mezzo delle viti che devono essere inserite negli appositi fori presenti sul corpo del dispositivo, come mostrato in figura 7.

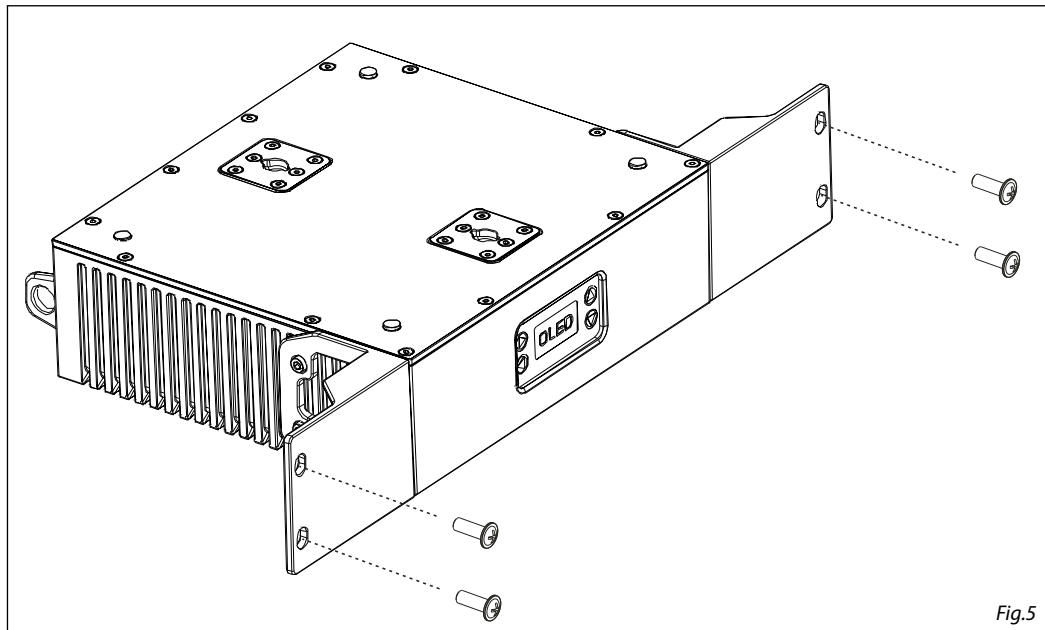


Fig.5

2.2 DISTANZA MASSIMA DI CABLAGGIO

Distanza massima di cablaggio tra due dispositivi:

- Nessuna distanza massima tra 2 dispositivi, purchè la distanza dell'ultima DIGISTRIP sia massimo 60m dalla DIGIDRIVER

Distanza massima di cablaggio tra DIGIDRIVERIP e primo dispositivo connesso:

- DIGIDRIVER - DIGISTRIP100 = 60m
- DIGIDRIVER - DIGISTRIP50 = 60m

Distanza massima tra DIGIDRIVERIP e ultimo dispositivo connesso:

- DIGIDRIVER - DIGISTRIP100 = 60 m
- DIGIDRIVER - DIGISTRIP50 = 60 m

- 3 - FUNZIONI E IMPOSTAZIONI

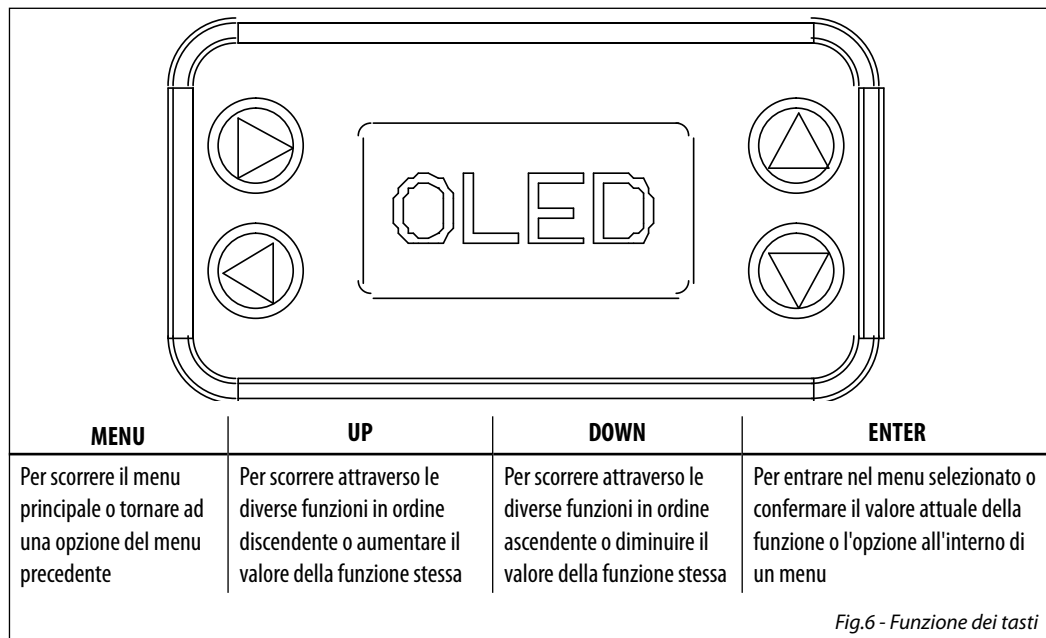
3.1 FUNZIONAMENTO

Per accendere il DIGIDRIVERIP, inserire la spina del cavo di alimentazione in una presa di rete (100-240V~/50-60Hz). L'unità può essere comandata da un'unità DMX di comando luce oppure svolgere autonomamente il suo programma. Per spegnere il DIGIDRIVERIP, staccare la spina dalla presa di rete.

Per maggiore comodità è consigliabile collegare l'unità con una presa comandata da un interruttore.

3.2 IMPOSTAZIONE BASE

Il DIGIDRIVERIP dispone di un display OLED e 4 pulsanti per accesso alle funzioni del pannello di controllo (fig.6).



3.3 STRUTTURA MENU

	MAIN LEVEL			Remark	
1	AUTO ADDRESS	⇒	No -Yes		
2	VIEM LINKED FIXTURES	⇒	Port A	1.DIGISTRIP100 2.DIGISTRIP100 3.DIGISTRIP050 ... 18.	
			Port B	1.DIGISTRIP100 2.DIGISTRIP100 3.DIGISTRIP050 ... 18.	
3	LED OUTPUT	⇒	Off Red Green Blue White Fade Scroll	Default: Off	
4	PROTOCOL	⇒	Port A	Art - Net Kling - Net sACN	Default: Art-Net
			Port B	Art - Net Kling - Net sACN	Default: Art-Net
5	DISPLAY INVERSE	⇒	No -Yes	Default: No	
6	FACTORY RESET	⇒	No -Yes	Default: Off	
7	PORT A	⇒	Personality	7-CH-Drive 8-CH-Fixture 13-CH-Fixture 2-Section 5-Section 10-Section 25-Section 50-Section PixelTOPixel	Default : PixelTOPixel
		⇒	Net	0-127	Default: 0
		⇒	Subnet	0-15	Default: 0
		⇒	Universe	0-15	Default: 0
		⇒	sACN Universe	1-247	Default: 1
		⇒	IP Address	IP Address #1 ... IP Address #10	Art-net(IP 1-126.xxx.xxx.xxx) SACN(IP:1-255.xxx.xxx.xxx)
			Dmx Address	1 - 512	Default: 1

7	PORT B	⇒ Personality	7-CH-Drive 8-CH-Fixture 13-CH-Fixture 2-Section 5-Section 10-Section 25-Section 50-Section PixelTOPixel	Default : PixelTOPixel
		⇒ Net	0-127	Default: 0
		⇒ Subnet	0-15	Default: 0
		⇒ Universe	0-15	Default: 0
		⇒ sACN Universe	1-247	Default: 1
		⇒ IP Address	IP Address #1 ... IP Address #10	Art-net(IP 1-126.xxx.xxx.xxx) SACN(IP:1-255.xxx.xxx.xxx)
		Dmx Address	1 - 512	Default: 1
8	SCREEN LOCK	⇒ Yes-No		
9	SOFTWARE VERSION	⇒ Port A-V1.0 Port B-V1.0		

3.4 CANALI DMX

Control Personalities

7 CHANNELS

MODE 7 Ch	FUNCTION	DMX Value
1	MASTER DIMMER 0~100%	000 - 255
2	RED 0~100%	000 - 255
3	GREEN 0~100%	000 - 255
4	BLUE 0~100%	000 - 255
5	AUTO PROGRAM No Function Auto 1 Auto 2 Auto 3 Auto 4 Auto 5 Auto 6 Auto 7 Auto 8 Auto 9 Auto 10 Auto 11 Auto 12 Auto 13 Auto 14 Auto 15 Auto 16 Auto 17 Auto 18 Auto 19 Auto 20 Auto 21 Auto 22 Auto 23 Auto 24 Auto 25 All Auto (Auto 1-25)	000 - 010 011 - 020 021 - 029 030 - 039 040 - 048 049 - 057 058 - 067 068 - 076 077 - 086 087 - 095 096 - 104 105 - 114 115 - 123 124 - 133 134 - 142 143 - 151 152 - 161 162 - 170 171 - 179 180 - 189 190 - 198 199 - 208 209 - 217 218 - 226 227 - 236 237 - 245 246 - 255
6	MASTER DIMMER 0~100%	000 - 255
7	STROBE No function Strobe Slow to Fast	000 - 010 011 - 255

8 CHANNELS

MODE 8 Ch	FUNCTION	DMX Value
1	MASTER DIMMER 0~100%	000 - 255
2	RED 0~100%	000 - 255
3	GREEN 0~100%	000 - 255
4	BLUE 0~100%	000 - 255
5	AUTO PROGRAM No Function Auto 1 Auto 2 Auto 3 Auto 4 Auto 5 Auto 6 Auto 7 Auto 8 Auto 9 Auto 10 Auto 11 Auto 12 Auto 13 Auto 14 Auto 15 Auto 16 Auto 17 Auto 18 Auto 19 Auto 20 Auto 21 Auto 22 Auto 23 Auto 24 Auto 25 All Auto (Auto 1-25)	000 - 010 011 - 020 021 - 029 030 - 039 040 - 048 049 - 057 058 - 067 068 - 076 077 - 086 087 - 095 096 - 104 105 - 114 115 - 123 124 - 133 134 - 142 143 - 151 152 - 161 162 - 170 171 - 179 180 - 189 190 - 198 199 - 208 209 - 217 218 - 226 227 - 236 237 - 245 246 - 255
6	MASTER DIMMER 0~100%	000 - 255
7	STROBE No function Strobe Slow to Fast	000 - 010 011 - 255

8 CHANNELS

MODE 8 Ch	FUNCTION	DMX Value
8	DIMMER SPEED MODE Dimmer speed mode off Dimmer speed mode1 (fast speed) Dimmer speed mode2 (middle speed) Dimmer speed mode3 (slow speed)	000 - 101 102 - 152 153 - 203 204 - 255

13 CHANNELS

MODE 13 Ch	FUNCTION	DMX Value
1	FOREGROUND DIMMER 0~100%	000 - 255
2	FOREGROUND STROBE NO Function Slow to Fast Strobe	000 - 010 011 - 255
3	FOREGROUND FADE Dimmer speed mode off Dimmer speed mode1 (fast speed) Dimmer speed mode2 (middle speed) Dimmer speed mode3 (slow speed)	000 - 101 102 - 152 153 - 203 204 - 255
4	FOREGROUND RED 0~100%	000 - 255
5	FOREGROUND GREEN 0~100%	000 - 255
6	FOREGROUND BLUE 0~100%	000 - 255
7	BACKGROUND DIMMER 0~100%	000 - 255
8	BACKGROUND STROBE NO Function Slow to Fast Strobe	000 - 010 011 - 255
9	BACKGROUND RED 0~100%	000 - 255
10	BACKGROUND GREEN 0~100%	000 - 255
11	BACKGROUND BLUE 0~100%	000 - 255

13 CHANNELS

MODE 13 Ch	FUNCTION	DMX Value
12	AUTO PROGRAM No Function	000 - 010
	Auto 1	011 - 020
	Auto 2	021 - 029
	Auto 3	030 - 039
	Auto 4	040 - 048
	Auto 5	049 - 057
	Auto 6	058 - 067
	Auto 7	068 - 076
	Auto 8	077 - 086
	Auto 9	087 - 095
	Auto 10	096 - 104
	Auto 11	105 - 114
	Auto 12	115 - 123
	Auto 13	124 - 133
	Auto 14	134 - 142
	Auto 15	143 - 151
	Auto 16	152 - 161
	Auto 17	162 - 170
	Auto 18	171 - 179
	Auto 19	180 - 189
	Auto 20	190 - 198
	Auto 21	199 - 208
	Auto 22	209 - 217
	Auto 23	218 - 226
	Auto 24	227 - 236
Auto 25	237 - 245	
All Auto (Auto 1-25)	246 - 255	
13	SPEED 0~100%	000 - 255

6 CHANNELS

2-SECTION 6 Ch	FUNCTION	DMX Value
1	RED 1 0~100%	000 - 255
2	GREEN 1 0~100%	000 - 255
3	BLUE 1 0~100%	000 - 255
4	RED 2 0~100%	000 - 255
5	GREEN 2 0~100%	000 - 255
6	BLUE 2 0~100%	000 - 255

15 CHANNELS

5-SECTION 15 Ch	FUNCTION	DMX Value
1	RED 1 0~100%	000 - 255
2	GREEN 1 0~100%	000 - 255
3	BLUE 1 0~100%	000 - 255
4	RED 2 0~100%	000 - 255
5	GREEN 2 0~100%	000 - 255
6	BLUE 2 0~100%	000 - 255
7	RED 3 0~100%	000 - 255
8	GREEN 3 0~100%	000 - 255
9	BLUE 3 0~100%	000 - 255
10	RED 4 0~100%	000 - 255
11	GREEN 4 0~100%	000 - 255
12	BLUE 4 0~100%	000 - 255
13	RED 5 0~100%	000 - 255
14	GREEN 5 0~100%	000 - 255
15	BLUE 5 0~100%	000 - 255

30 CHANNELS

10-SECTION 30 Ch	FUNCTION	DMX Value
1	RED 1 0~100%	000 - 255
2	GREEN 1 0~100%	000 - 255
3	BLUE 1 0~100%	000 - 255
4	RED 2 0~100%	000 - 255
5	GREEN 2 0~100%	000 - 255
6	BLUE 2 0~100%	000 - 255
	...	
25	RED 9 0~100%	000 - 255
26	GREEN 9 0~100%	000 - 255
27	BLUE 9 0~100%	000 - 255
28	RED 10 0~100%	000 - 255
29	GREEN 10 0~100%	000 - 255
30	BLUE 10 0~100%	000 - 255

75 CHANNELS

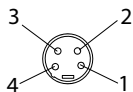
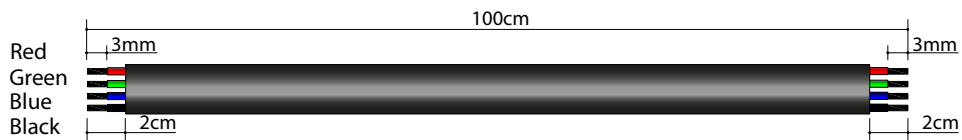
25-SECTION 75 Ch	FUNCTION	DMX Value
1	RED 1 0~100%	000 - 255
2	GREEN 1 0~100%	000 - 255
3	BLUE 1 0~100%	000 - 255
4	RED 2 0~100%	000 - 255
5	GREEN 2 0~100%	000 - 255
6	BLUE 2 0~100%	000 - 255
	...	
70	RED 24 0~100%	000 - 255
71	GREEN 24 0~100%	000 - 255
72	BLUE 24 0~100%	000 - 255
73	RED 25 0~100%	000 - 255
74	GREEN 25 0~100%	000 - 255
75	BLUE 25 0~100%	000 - 255

150 CHANNELS

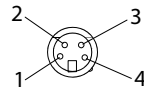
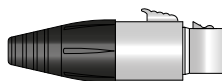
50-SECTION 150 Ch	FUNCTION	DMX Value
1	RED 1 0~100%	000 - 255
2	GREEN 1 0~100%	000 - 255
3	BLUE 1 0~100%	000 - 255
4	RED 2 0~100%	000 - 255
5	GREEN 2 0~100%	000 - 255
6	BLUE 2 0~100%	000 - 255
	...	
145	RED 49 0~100%	000 - 255
146	GREEN 49 0~100%	000 - 255
147	BLUE 49 0~100%	000 - 255
148	RED 50 0~100%	000 - 255
149	GREEN 50 0~100%	000 - 255
150	BLUE 50 0~100%	000 - 255

300 CHANNELS

PixelTOPixel 300 Ch	FUNCTION	DMX Value
1	RED 1 0~100%	000 - 255
2	GREEN 1 0~100%	000 - 255
3	BLUE 1 0~100%	000 - 255
4	RED 2 0~100%	000 - 255
5	GREEN 2 0~100%	000 - 255
6	BLUE 2 0~100%	000 - 255
	...	
295	RED 99 0~100%	000 - 255
296	GREEN 99 0~100%	000 - 255
297	BLUE 99 0~100%	000 - 255
298	RED 100 0~100%	000 - 255
299	GREEN 100 0~100%	000 - 255
300	BLUE 100 0~100%	000 - 255

- 4 - SCHEMA DI COLLEGAMENTO

Male connector



Female connector

1-Red 2-Green 3-Blue 4-Black



5 - MANUTENZIONE

5.1 MANUTENZIONE E PULIZIA DEL SISTEMA

- Durante gli interventi, assicurarsi che l'area sotto il luogo di installazione sia libera da personale non qualificato.
- Tutte le viti utilizzate per l'installazione dell'unità e le sue parti devono essere assicurate saldamente e non devono essere corrose.
- Alloggiamenti, elementi di fissaggio e di installazione (soffitto, truss, sospensioni) devono essere totalmente esenti da qualsiasi deformazione.
- I cavi di alimentazione devono essere in condizione impeccabile e devono essere sostituiti immediatamente nel momento in cui anche un piccolo problema viene rilevato.

Per mantenere prestazioni ottimali e ridurre al minimo l'usura, è necessario pulire questo prodotto frequentemente. Uso e l'ambiente sono fattori che contribuiscono a determinare la frequenza di pulizia. Come regola generale, il dispositivo deve essere pulito almeno due volte al mese. L'accumulo di polvere riduce la luminosità e può causare il surriscaldamento. L'utilizzo e l'ambiente sono fattori che contribuiscono a determinare la frequenza di pulizia.

Per la pulizia del prodotto, seguire le istruzioni riportate di seguito:

- Scollegare il dispositivo dall'alimentazione elettrica.
- Attendere finché l'unità non si sia raffreddata.
- Utilizzare un compressore d'aria o una spazzola morbida per rimuovere la polvere accumulata sulla superficie esterna.
- Per la pulizia usare un panno morbido, pulito e un detergente per vetri come si trovano in commercio.
- Delicatamente lucidare le superfici fino a che non siano prive di lanugine.

NOTA - Non aprire il prodotto per la pulizia o la manutenzione.

5.2 SOSTITUZIONE FUSIBILE

1. Assicurarsi di scollegare il cavo di alimentazione dell'unità prima di sostituire un fusibile bruciato con uno dello stesso tipo e valore.
2. Con un cacciavite, rimuovere il portafusibile dalla sua sede e il fusibile bruciato dal suo supporto; sostituire il fusibile con uno identico per tipologia e valore.
3. Inserire il portafusibile al suo posto e ricollegare l'alimentazione.

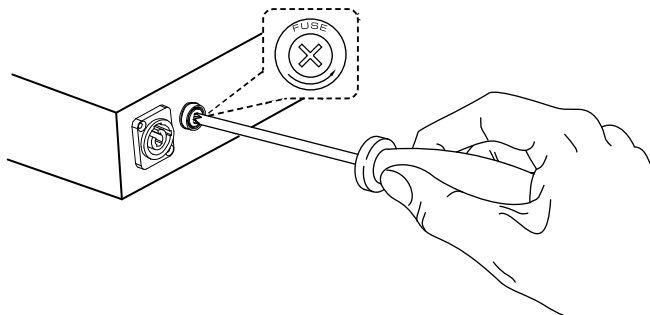
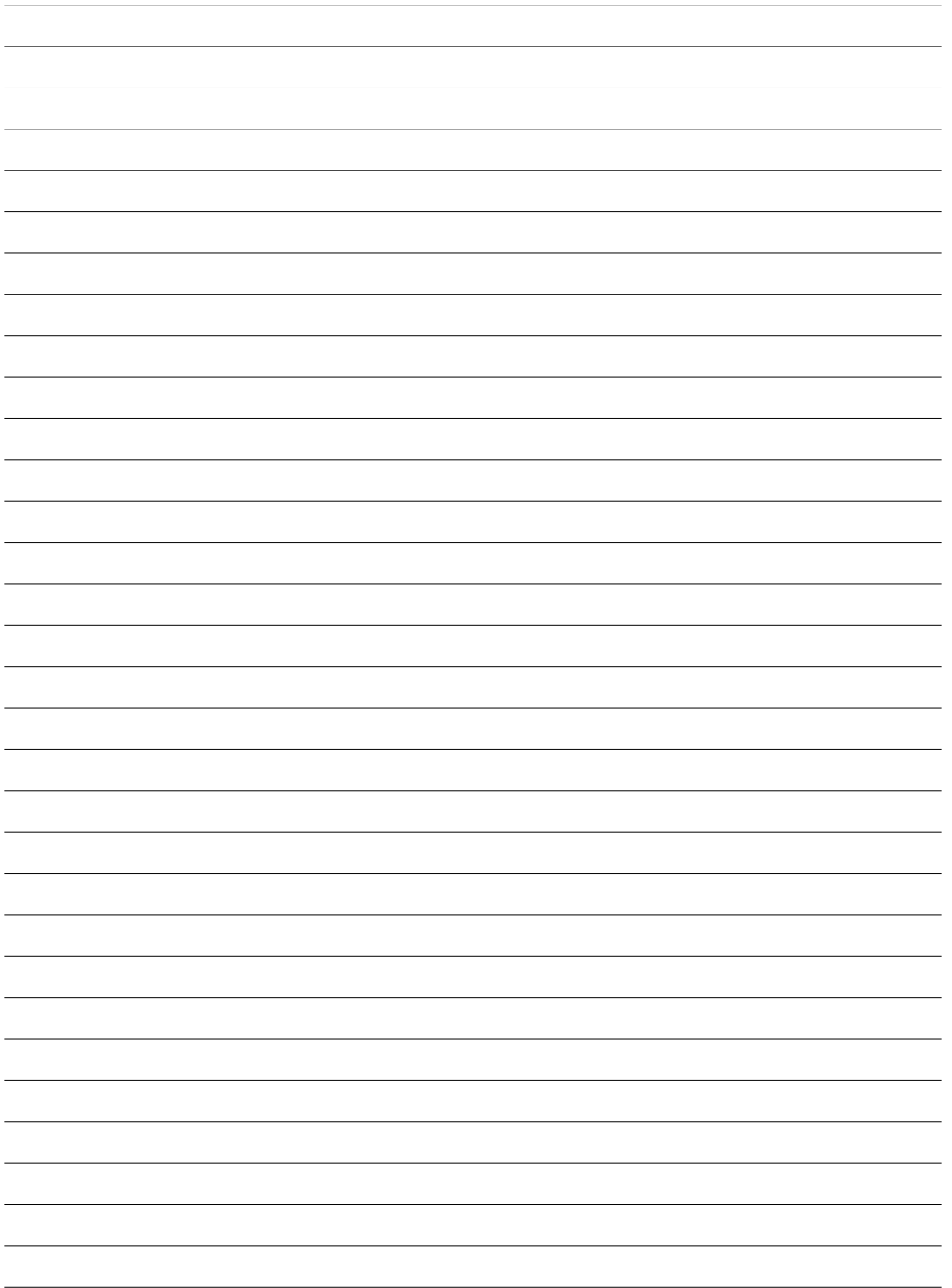
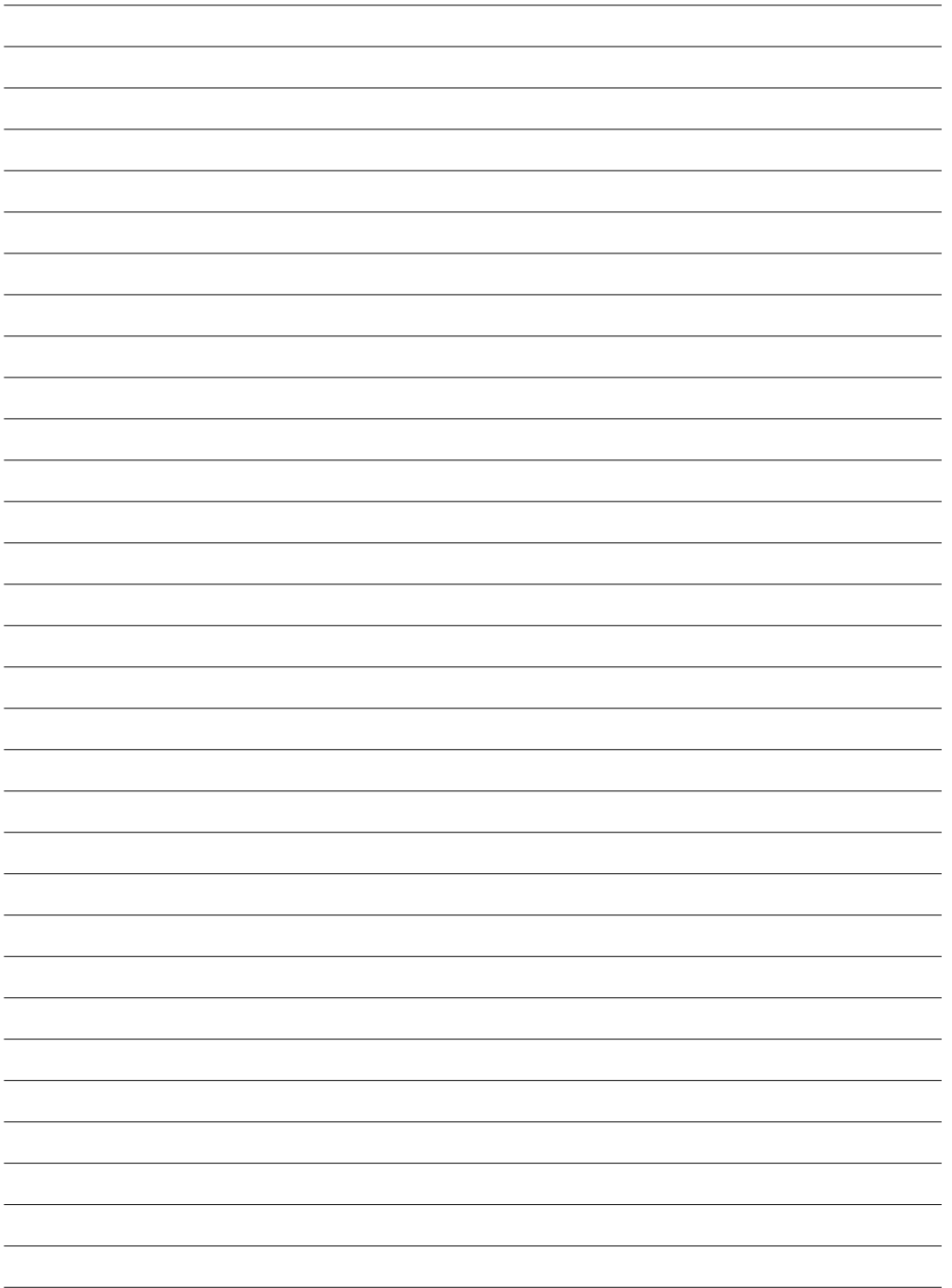


Fig.7







PROLIGHTS è un brand di proprietà della Music & Lights S.r.l.

PROLIGHTS is a brand of Music & Lights S.r.l. company.

©2019 Music & Lights S.r.l.