



Datasheet

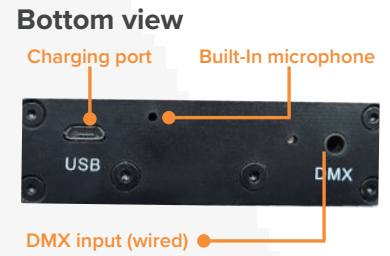
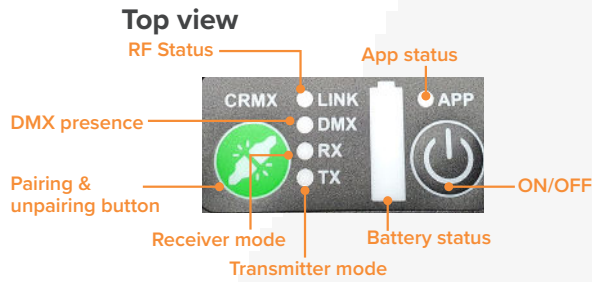
ART7 ASTERABOX

Compatible with:
all ASTERA Lights with App usage. CRMX connectivity limited to lights with built-in LumenRadio CRMX receiver

Date: 02/28/21 Version: 1.0



Asterabox is the interface between lights and controller. It can be used as a wireless DMX transceiver with CRMX technology and also works as interface between the AsteraApp and lights. Its built-in battery enables an easy and time-saving setup, just like with all of Astera's products.



THE ASTERA SYSTEM

Set up Lights

Set up your lights conveniently out of the distance. Adjust DMX settings on one or several lights. After your job, do a master reset

Monitor Lights

Check your lights while operating them. View battery status, settings, targeted lights and get informed if a light is being moved.

Control Lights

Send effects and colors to your lights. Choose which lights you want to target. Save programs for quick launch later.

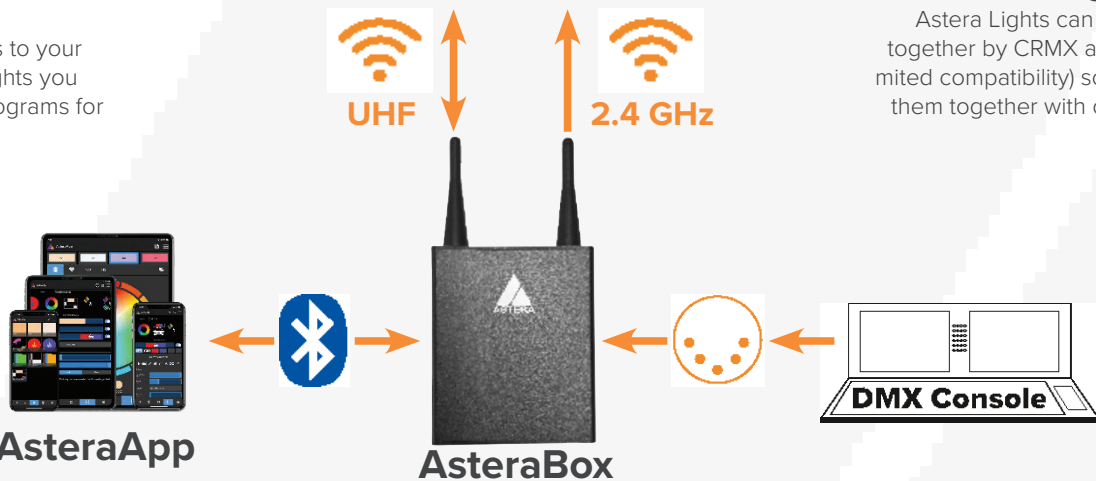


Wireless DMX

The AsteraBox works as a wireless DMX transmitter with CRMX technology, just connect it with the included XLR adapter.

Compatible

Astera Lights can be controlled together by CRMX and W-DMX (limited compatibility) so you can use them together with other wireless lights.



SPECIFICATIONS

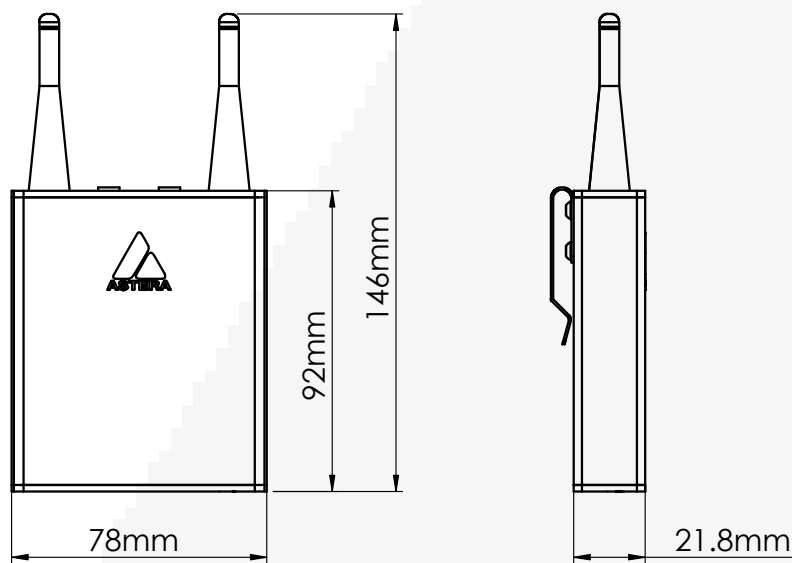
Order Code	ART7-U
Input	5V DC, 1A
Battery Voltage	3.7V
Charging Time	8h
Battery Runtime	72h (App); 16h (CRMX)
Range (m/yard)	CRMX/UHF: 300/330; Bluetooth: 10/11
Wireless	UHF, 2.4GHz, Bluetooth 4.0
Ports	Micro-USB for charging; 3.5" Jack for DMX input
Dimensions (mm/inches)	144 x 78 x 30 / 5.7 x 3.1 x 1.2
Weight (kg/lbs)	0.230 / 0.5

RF CHARACTERISTICS

Wireless Modules	EU: UHF (863-870MHz)	USA: UHF (917-922.20MHz)	AUS: UHF (922.30-927.50MHz)	SGP: UHF (920.50-924.50MHz)	KOR: UHF (917.9-921.5MHz)
Modulation	FHSS	FHSS	FHSS	FHSS	FHSS
ERP (Transmitter)	<25mW	<25mW	<25mW	<25mW	<25mW
Channel Count	47	53	53	41	10

Wireless Modules	RUS: UHF (868.75-869.12MHz)	JPN: UHF (922.80-926.40MHz)	CRMX (2402-2480MHz)	Bluetooth 4.1 (2402-2480MHz)	
Modulation	FHSS	FHSS	FHSS	FHSS	
ERP (Transmitter)	<25mW	<25mW	<100mW	2mW (classic)	2mW (BLE)
Channel Count	6	19	79	79	40

DRAWINGS



ACCESSORIES

Carrying Case
ART7-CSE



included

Power Supply
ART7-CHR



included

DMX Adapter
ART7-ADP



included

